



PIAGGIO & C.s.p.a.



SPARE PARTS CATALOGUE

V7 II Stornello ABS 2016 (USA)

Chassis prefix: ZGULWUE0

Engine prefix:



Index

Finished products.....	4
Alphanumeric index.....	5
FRAME.....	10
Table 33.01 - Frame I.....	10
Table 33.02 - Frame II.....	11
Table 33.03 - Lateral stand.....	12
Table 33.04 - Front footrests.....	13
Table 33.05 - Rear footrests.....	14
Table 33.06 - Gear lever.....	15
Table 33.07 - Front fork I.....	16
Table 33.08 - Fron fork II.....	17
Table 33.11 - Rear shock absorber.....	19
Table 33.12 - Fuel tank.....	20
Table 33.13 - Front body - Front mudguard.....	21
Table 33.14 - Saddle-Central bod.....	22
Table 33.15 - Rear body I- Mudguard.....	24
Table 33.16 - Rear body II- Plate holder.....	25
Table 33.17 - Dashboard.....	26
Table 33.18 - Handlebar - Controls.....	27
Table 33.19 - Front brake system.....	28
Table 33.21 - Fuel pump.....	29
Table 33.22 - Air box.....	30
Table 33.23 - Exhaust unit.....	31
Table 33.24 - Front wheel I.....	33
Table 33.25 - Rear wheel I.....	34
Table 33.26 - Rear master cylinder.....	35
Table 33.27 - Rear brake caliper.....	36
Table 33.28 - Front lights.....	37
Table 33.29 - Rear lights.....	38
Table 33.30 - Electrical system I.....	39
Table 33.31 - Electrical system II.....	40
Table 33.32 - Lock hardware kit.....	42
Table 33.33 - Decal and plate set.....	43
Table 33.36 - ABS Brake system.....	44
Table 33.48 - Fuel vapour recover system.....	45
ENGINE.....	46
Table 34.09 - Transmission complete I.....	46
Table 34.10 - Transmission complete II.....	47
Table 34.34 - Crank-case.....	50
Table 34.35 - Timing system cover.....	51
Table 34.36 - Cylinder head.....	52
Table 34.37 - Crankshaft cpl.....	53
Table 34.38 - Timing system.....	54



Table 34.39 - Oil pump.....	56
Table 34.40 - Clutch I.....	57
Table 34.41 - Clutch II.....	58
Table 34.42 - Transmission cage.....	59
Table 34.43 - Gear box.....	60
Table 34.44 - Gear box selector.....	61
Table 34.45 - Generator - Regulator.....	62
Table 34.46 - Starter motor.....	63
Table 34.47 - Throttle body.....	64



V 7
GU134 - V7 II Stornello ABS 2016 (USA)

Chassis prefix: ZGULWUE0
Engine prefix:

Finished products

Code	Validity
GU9032116CAG00	
GU9032116CAG01	
GU9032116USG00	
GU9032116USG01	



Code	No. table	Pos.	Code	No. table	Pos.	Code	No. table	Pos.
	33.14	15	2B000671	33.18	1	2B003268	33.13	9
	33.14	25	2B000841	33.14	20	2B003391	33.23	1
	33.15	7	2B000842	33.14	21	2B003392	33.23	4
1A000360	34.43	5	2B000899	33.11	1	2B003393	33.23	2
1A000361	34.43	11	2B000909	33.12	14	2B003394	33.23	3
1A000365	34.43	14	2B001004	33.02	9	2D000006	33.32	10
1A000366	34.43	16	2B001008	33.02	8	2D000021	33.17	10
1A000367	34.43	20	2B001016	33.36	13	2D000022	33.17	9
1A000368	34.43	21	2B001031	34.47	11	2D000024	34.45	1
1A000369	34.43	22	2B001035	33.01	10	2D000043	34.45	2
1A000370	34.43	18	2B001048	33.18	24	2D000102	33.36	1
1A000436	34.43	8	2B001049	33.18	10	2D000108	33.30	1
1A000566	34.43	2	2B001088	33.03	2	2D000108	33.31	1
1A002604	34.43	7	2B001096	33.06	1	2D000202	33.31	27
1A005199	34.34	16	2B001138	33.18	25	2D000206	33.30	9
1C001499	33.03	9	2B001197	33.19	13	2D000207	33.30	6
248419	33.26	19	2B001199	33.19	1	2D000247	33.30	11
254485	33.22	14	2B001202	33.18	3	2G000074	33.33	7
254485	33.23	19	2B001204	34.36	28	2G000149	33.33	6
254485	33.28	20	2B001230	33.02	10	2G000150	33.33	12
254485	34.45	10	2B001300	33.18	2	2G000151	33.33	8
285536	34.40	14	2B001342	33.21	2	2H001362000XB3	33.12	1
2A000085	34.35	1	2B001425	33.07	1	2H001363	33.33	1
2A000097	34.42	4	2B001555	33.36	5	2H001364	33.33	2
2A0000995	34.37	1	2B001556	33.36	4	2L0002405	34.34	28
2A000115	34.45	6	2B001557	33.36	2	2Q000158	33.33	5
2A000129	34.45	7	2B001558	33.36	3	2R000109	33.08	29
2A000146	34.38	1	2B001561	33.24	22	2R000110	33.08	4
2A000147	34.38	2	2B001564	33.36	14	2R000243	33.08	15
2A000188	34.36	1	2B001570	33.36	21	2R000248	33.27	7
2A000189	34.36	2	2B001591	33.08	10	2R000275	33.04	4
2A000196	34.42	16	2B001597	33.26	13	2R000276	33.14	1
2A000199	34.43	23	2B001612	33.02	3	2R000277	33.26	2
2A000202	34.43	24	2B001614	33.36	15	2S000216	33.23	29
2A000203	34.43	15	2B001708	33.24	21	2S000222	33.14	29
2A000204	34.41	12	2B001748	33.29	1	2S000223	33.14	12
2A000210	34.42	1	2B001783	33.15	14	2S000234	33.13	6
2A000216	34.41	13	2B001926	33.19	9	2S000236	33.13	1
2A000219	34.44	5	2B001927	33.19	8	2S000237	33.15	1
2A000222	34.44	12	2B001928	33.19	6	2S000249	33.14	10
2A000224	34.44	16	2B001929	33.19	7	2S000250	33.14	9
2A000225	34.44	19	2B001941	33.06	8	2S000251	33.15	2
2A000226	34.44	17	2B001959	34.09	11	2S000252	33.15	3
2A000227	34.44	18	2B001988	33.14	28	2S000254	33.15	13
2A000230	34.43	1	2B001998	33.18	26	2S000255	33.15	12
2A0002355	34.34	1	2B002171	33.04	11	2S000430	33.23	5
2A000241	34.40	17	2B002171	33.05	14	2S000431	33.23	16
2A000241	34.42	6	2B002194	33.11	2	2S000432	33.23	26
2A000306	34.42	5	2B002261	33.48	17	2S000433	33.23	21
2A000375	34.42	11	2B002318	34.10	27	2S000434	33.23	10
2A000376	34.41	20	2B002319	34.10	27	2S000435	33.23	9
2A000378	34.41	24	2B002320	34.10	27	2S000436	33.23	6
2A0003794	34.40	1	2B002424	34.10	27	2S000437	33.23	8
2A000382	34.10	22	2B002425	34.10	27	2S000438	33.23	15
2A000383	34.41	1	2B002426	34.10	27	2S000440	33.23	27
2A000384	34.41	5	2B003026	33.01	1	2S0004985	33.16	6
2A000385	34.41	6	2B003027	33.02	2	584211	33.31	10
2A000415	34.44	20	2B003028	33.02	1	598839	33.15	15
2A000416	34.44	20	2B003029	33.01	12	624995	33.13	3
2A000438	34.42	17	2B003032	33.24	23	638733	33.31	6
2A000467	34.44	3	2B003033	33.25	25	641040	33.30	8
2B000225	33.25	22	2B003034	33.03	1	641541	34.39	8
2B000229	33.27	1	2B003037	33.05	13	641725	33.30	7
2B000276	33.36	22	2B003038	33.05	12	641901	33.30	4
2B000377	33.25	23	2B003051	33.17	8	642034	33.30	3
2B000508	33.26	14	2B003254	33.14	27	658816	33.23	12
2B000525	33.27	6	2B003267	33.13	8	658818	33.23	20



Code	No. table	Pos.	Code	No. table	Pos.	Code	No. table	Pos.
658830	33.13	5	887448	33.25	12	976941	34.09	1
658830	33.15	10	887481	33.30	12	977527	33.14	16
658837	33.26	11	887483	34.36	25	977527	33.32	4
831153	33.14	3	887523	34.36	9	978311	33.28	2
832029	33.30	14	887528	34.38	27	978415	33.14	7
834764	34.40	9	887762	33.24	11	978415	33.32	9
848650	34.40	3	887787	33.21	5	978969	33.26	3
849308	34.43	4	887815	33.22	13	981149	33.28	12
849309	34.43	17	8878421	33.22	1	AP8101594	33.26	20
849310	34.43	19	887843	33.22	2	AP8101595	33.12	10
849396	34.43	12	887844	33.22	11	AP8101861	33.05	7
849424	34.43	6	887845	33.22	12	AP8102159	33.48	6
854973	33.36	8	887852	33.18	4	AP8102375	33.14	14
855997	33.23	18	887853	33.18	5	AP8102375	33.23	7
856063	33.48	14	887875	33.24	19	AP8102375	33.31	14
857206	34.45	4	887878	33.08	1	AP8102520	33.22	27
857250	34.42	10	887879	33.08	2	AP8102524	33.03	4
859792	33.24	20	887880	33.08	3	AP8102678	33.48	1
859792	33.25	24	887882	33.08	5	AP8102688	33.48	2
860138	33.48	7	887883	33.08	6	AP8102766	33.22	23
860651	34.09	19	887884	33.08	7	AP8102798	33.14	11
862560	34.44	22	887885	33.08	8	AP8104509	33.18	9
873905	34.40	8	887886	33.08	9	AP8104525	33.22	5
873928	34.40	6	887888	33.08	11	AP8104924	33.22	4
873928	34.42	8	887889	33.08	12	AP8113003	33.19	15
874567	34.37	14	887890	33.08	13	AP8113003	33.36	7
880260	34.47	4	887891	33.08	14	AP8113004	33.19	14
883051	33.04	1	887893	33.08	16	AP8113004	33.36	6
883052	33.04	2	887894	33.08	17	AP8113241	33.26	22
883127	33.22	6	887895	33.08	18	AP8113288	33.26	16
883161	33.31	11	887896	33.08	19	AP8113553	33.26	23
883266	33.13	2	887898	33.08	21	AP8120030	33.36	10
883295	33.14	5	887899	33.08	22	AP8120246	34.09	10
883349	33.25	8	887900	33.08	23	AP8120311	33.01	13
883350	33.25	7	887901	33.08	24	AP8120416	33.30	18
883417	33.28	18	887902	33.08	25	AP8120416	33.31	19
883476	33.32	3	887903	33.08	26	AP8120416	33.48	11
883477	33.32	1	887904	33.08	27	AP8120446	33.48	9
883480	33.16	9	887905	33.08	28	AP8120455	33.22	9
883502	33.12	5	887910	33.26	1	AP8120459	33.15	4
883673	33.19	17	887911	33.26	24	AP8120531	33.14	18
883688	33.24	10	887912	33.08	30	AP8120557	33.12	11
883826	34.34	18	887913	33.08	31	AP8120573	33.04	9
884029	33.13	11	887914	33.08	32	AP8120573	33.05	9
884038	34.40	24	887915	33.08	33	AP8120615	33.22	10
884039	34.39	7	887916	33.08	34	AP8120772	33.22	20
884310	34.47	12	887944	33.12	1	AP8120876	33.22	8
884311	34.47	13	887948	33.30	13	AP8120912	33.06	2
886184	33.04	3	887952	33.26	27	AP8121014	33.03	3
886185	33.04	10	890760	33.22	16	AP8121032	33.15	16
886365	34.34	10	890979	33.28	16	AP8121032	33.17	7
886629	34.40	2	894505	33.25	13	AP8121133	33.05	6
886645	33.01	11	894704	33.31	26	AP8121267	33.48	10
886658	33.33	3	895709	33.36	18	AP8121307	33.07	4
886659	33.33	4	896110	33.23	22	AP8121375	33.03	2
886670	34.37	11	897478	34.45	3	AP8121420	33.14	6
886727	33.14	19	898086	33.07	7	AP8121420	33.32	8
886820	33.14	22	898164	33.11	3	AP8121673	33.12	12
887002	34.36	10	898283	33.06	4	AP8124718	33.16	7
887003	34.35	2	959559	33.36	16	AP8124936	33.30	2
887004	34.34	13	967356	33.03	6	AP8127856	33.03	8
887093	34.39	9	969973	34.36	26	AP8134451	33.05	5
887195	33.17	1	974162	34.43	10	AP8144007	33.26	4
8872690001	34.37	10	974165	34.43	13	AP8144071	34.36	23
8872690002	34.37	10	976604	34.34	12	AP8144081	33.07	5
8872690003	34.37	10	976608	34.10	1	AP8144146	33.07	3
887279	34.36	24	976898	34.36	20	AP8144553	33.22	7



Code	No. table	Pos.	Code	No. table	Pos.	Code	No. table	Pos.
AP8144606	33.13	13	B017406	34.40	12	GU03102400	33.12	2
AP8144606	33.13	7	B017470	34.43	3	GU03103200	33.12	8
AP8144729	33.22	17	B018020	34.40	13	GU03103500	33.12	4
AP8149034	33.16	4	B018448	34.40	16	GU03163330	33.31	3
AP8150015	33.36	12	B043850	33.31	23	GU03609600	33.18	14
AP8150032	33.23	23	B045974	33.33	9	GU03612040	33.24	16
AP8150045	34.40	11	B063016	34.37	13	GU03631250	33.24	4
AP8150178	33.24	17	B063025	34.42	15	GU03631250	33.25	9
AP8150248	33.16	2	B063025	34.44	21	GU03658201	33.36	20
AP8150349	33.32	6	B063049	34.47	2	GU03658330	33.36	17
AP8150377	33.28	13	B063077	33.24	5	GU03740930	33.29	2
AP8150378	33.15	8	B063078	33.25	11	GU03749845	33.19	5
AP8150380	33.15	9	B063099	34.36	19	GU03922280	34.09	23
AP8150430	33.13	12	B063111	34.36	6	GU05107430	33.21	3
AP8150430	33.15	11	B063132	33.04	5	GU05217630	34.41	18
AP8150436	33.02	12	B063135	33.18	6	GU05234230	34.44	9
AP8150451	33.36	19	B063144	33.24	3	GU05234631	34.44	13
AP8150509	33.22	19	B063233	33.31	5	GU05235531	34.44	14
AP8150521	33.23	13	B063269	34.42	3	GU05238231	34.44	6
AP8152043	33.19	4	B063287	33.01	4	GU05238431	34.44	7
AP8152220	33.02	11	B063429	33.14	23	GU05239330	34.44	1
AP8152220	34.39	18	B063431	33.14	24	GU05659230	33.19	10
AP8152268	33.16	3	B063443	33.26	26	GU05730730	34.46	1
AP8152273	33.21	4	B063465	34.37	15	GU05781630	33.16	1
AP8152277	33.04	7	B063466	34.37	16	GU06740400	33.28	17
AP8152277	33.05	8	B063702	33.24	1	GU10528900	34.34	15
AP8152279	33.36	11	B063704	33.25	1	GU12003702	34.34	20
AP8152281	34.45	9	B063735	33.28	14	GU12022600	34.10	6
AP8152282	33.31	7	B063735	33.29	6	GU12022600	34.40	10
AP8152288	33.27	4	B063752	33.21	1	GU12154200	34.34	23
AP8152298	33.26	18	B063800	33.28	4	GU13021900	34.34	26
AP8152298	34.47	6	B063800	33.29	4	GU13021900	34.36	12
AP8152299	33.15	17	B063801	33.28	5	GU14085900	34.41	17
AP8152299	33.30	5	B063801	33.29	5	GU14086100	34.41	7
AP8152299	33.48	5	B063956	34.44	4	GU14090400	34.41	2
AP8152306	33.16	5	B063975	33.18	15	GU14217901	34.40	25
AP8152329	33.22	18	B064112	34.44	8	GU14609650	33.30	10
AP8152329	33.22	24	B064113	34.44	11	GU14609650	33.31	19
AP8152350	33.01	16	CM001928	33.07	8	GU14615901	33.05	15
AP8152385	33.19	16	CM001929	33.07	9	GU14615901	34.09	20
AP8157100	33.33	10	CM013202	33.31	25	GU14615901	34.37	5
AP8161054	33.22	15	CM225705	33.31	15	GU14616150	33.24	15
AP8163165	33.23	30	CM225710	33.31	16	GU14616150	33.25	10
AP8181140	33.31	24	CM225715	33.31	17	GU18144350	34.39	16
AP8201358	33.22	3	CM225720	33.31	20	GU18161150	34.39	21
AP8201358	33.48	13	CM225730	33.31	18	GU18257551	33.26	8
AP8201358	34.36	27	CM228306	34.47	1	GU19002020	34.35	5
AP8213028	33.18	23	CM228401	33.04	8	GU19002020	34.42	2
AP8213057	33.26	15	CM228401	33.05	4	GU19003800	34.34	8
AP8213388	33.18	18	CM258303	33.22	22	GU19015020	34.34	5
AP8220283	33.31	22	GU00823923140	33.03	7	GU19017000	33.02	4
AP8220460	33.07	6	GU00823923140	33.48	12	GU19018920	34.39	10
AP8221023	33.22	25	GU00823931055	33.28	19	GU19021360	34.36	18
AP8221023	33.36	9	GU00823944050	33.12	13	GU19021920	34.36	7
AP8221114	33.48	16	GU00823950050	33.26	21	GU19025280	33.23	17
AP8221197	33.03	5	GU01528930	34.10	9	GU19027500	34.38	15
AP8221277	33.04	6	GU01528930	34.42	18	GU19030500	34.38	7
AP8224462	33.31	21	GU01609630	33.18	14	GU19032080	34.38	10
AP8257609	33.33	11	GU01659130	33.19	11	GU19032980	34.36	17
AP8706087	33.14	26	GU01659131	33.19	12	GU19032980	34.38	14
B005310	33.14	13	GU01665410	33.26	25	GU19034000	34.38	8
B013037	34.41	10	GU03013800	33.06	7	GU19037820	34.36	8
B013608	34.40	5	GU03013800	34.47	10	GU19045861	34.38	25
B013608	34.42	9	GU03067730	34.10	19	GU19055700	34.38	23
B015040	34.43	9	GU03101600	33.12	7	GU19058021	34.38	19
B015598	34.40	15	GU03101900	33.12	3	GU19058220	34.38	20
B016796	34.47	5	GU03102200	33.12	6	GU19062261	34.37	4

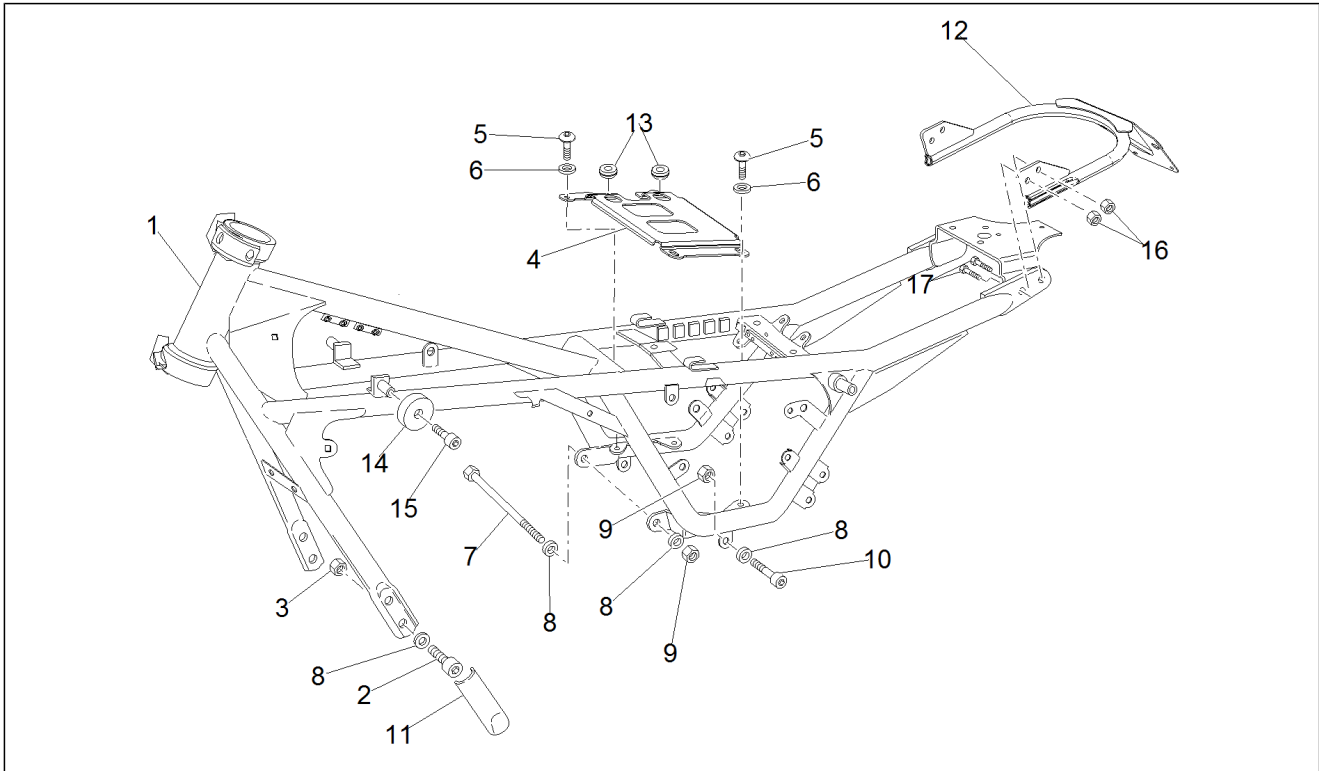


Code	No. table	Pos.	Code	No. table	Pos.	Code	No. table	Pos.
GU19065400	34.37	2	GU27066460	34.37	9	GU32634160	33.27	5
GU19067700	34.37	18	GU27066560	34.37	8	GU32636160	33.25	21
GU19083462	34.40	22	GU27152885	34.34	22	GU32692260	33.25	2
GU19146422	34.39	1	GU27153085	34.39	14	GU32735510	33.32	5
GU19152200	34.39	11	GU27633910	33.25	4	GU32747910	33.31	9
GU19206501	34.10	10	GU28157950	33.48	8	GU32753410	33.28	3
GU19213760	34.41	15	GU28612033	33.25	18	GU32753410	33.29	8
GU19327601	34.09	5	GU29729461	33.31	2	GU32781910	33.16	10
GU19328801	34.09	3	GU29759150	33.18	17	GU32782510	33.32	2
GU19350700	34.10	22	GU30577800	33.29	13	GU32999010	34.34	25
GU19351100	34.10	4	GU30601060	33.18	13	GU32999510	34.34	24
GU19351900	34.10	2	GU30602500	33.18	22	GU35214300	34.09	13
GU19352300	34.10	23	GU30630430	33.25	26	GU49609601	33.30	19
GU19353500	34.10	24	GU31003766	34.10	8	GU49609601	33.31	19
GU19355200	34.10	35	GU31003766	34.34	14	GU61027200	34.37	12
GU19355202	34.10	36	GU31016050	34.39	20	GU61036801	34.36	3
GU19355300	34.10	33	GU31037015	34.38	13	GU61038100	34.38	6
GU19355301	34.10	33	GU31038015	34.38	5	GU61054900	34.38	18
GU19355302	34.10	33	GU31045015	34.38	26	GU61270300	34.10	26
GU19355303	34.10	33	GU31112965	33.22	26	GU61270300	34.34	6
GU19355304	34.10	33	GU31150950	34.39	26	GU61270300	34.36	21
GU19355305	34.10	33	GU31159050	34.39	15	GU66103415	33.01	14
GU19355306	34.10	33	GU31327783	34.09	2	GU90271014	34.44	2
GU19355307	34.10	33	GU31439565	33.13	4	GU90271018	34.38	12
GU19355308	34.10	33	GU31513480	33.08	20	GU90271022	34.44	15
GU19355309	34.10	33	GU31544181	33.27	3	GU90272023	34.09	4
GU19355320	34.10	27	GU31544181	34.09	15	GU90272075	34.40	21
GU19355321	34.10	27	GU31547882	34.09	14	GU90353009	34.36	4
GU19355322	34.10	27	GU31610160	33.24	24	GU90353014	34.44	10
GU19355323	34.10	27	GU31614183	33.24	9	GU90353029	34.38	24
GU19355324	34.10	27	GU31615283	33.24	6	GU90353030	34.10	17
GU19355325	34.10	27	GU31616384	33.24	12	GU90401424	34.42	14
GU19355326	34.10	27	GU31634281	33.27	2	GU90402538	33.25	6
GU19355327	34.10	27	GU31634481	33.25	15	GU90402642	33.24	8
GU19355328	34.10	27	GU31659181	33.27	9	GU90403251	34.10	38
GU19355329	34.10	27	GU31659281	33.27	8	GU90403549	34.10	3
GU19355400	34.10	21	GU31740383	33.28	11	GU90407591	34.10	15
GU19355402	34.10	21	GU32032310	34.38	11	GU90412541	34.42	13
GU19355404	34.10	21	GU32053410	34.38	16	GU90706076	34.34	9
GU19355406	34.10	21	GU32054510	34.38	17	GU90706111	34.39	22
GU19355408	34.10	21	GU32067910	34.40	19	GU90706141	33.30	17
GU19355410	34.10	21	GU32080310	34.40	23	GU90706170	34.41	19
GU19355411	34.10	21	GU32084410	34.40	20	GU90706188	34.10	29
GU19355412	34.10	21	GU32115010	34.47	3	GU90706203	34.10	7
GU19355413	34.10	21	GU32115011	34.47	8	GU90706203	34.40	26
GU19356700	34.10	30	GU32115510	34.47	7	GU90706235	34.41	14
GU19356760	34.41	16	GU32350410	34.10	13	GU90706281	34.34	19
GU19356801	34.10	28	GU32351410	34.10	16	GU90706444	34.34	17
GU19357660	34.10	25	GU32354610	34.10	18	GU90706584	34.10	37
GU19547000	34.09	12	GU32439260	33.48	3	GU91181003	33.18	11
GU20147710	34.39	17	GU32441210	33.05	3	GU91181003	33.19	3
GU20147810	34.39	3	GU32442310	33.05	1	GU91551010	33.22	21
GU20148410	34.39	4	GU32442710	33.05	10	GU92201070	34.10	14
GU20148610	34.39	5	GU32443210	33.05	2	GU92201226	34.40	4
GU20258221	33.06	9	GU32443211	33.05	11	GU92201226	34.42	7
GU20352421	34.10	31	GU32461610	33.14	2	GU92201822	34.40	7
GU20355121	34.10	34	GU32506360	33.28	1	GU92201822	34.42	12
GU23217800	34.38	3	GU32517710	33.31	8	GU92204217	33.25	5
GU23328081	34.09	7	GU32555210	33.11	4	GU92204218	33.25	3
GU23548080	34.09	8	GU32555211	33.11	5	GU92204221	33.24	7
GU23548180	34.09	9	GU32603010	33.18	16	GU92249220	34.10	32
GU23943410	33.08	35	GU32603310	33.18	7	GU92249225	33.07	2
GU27037521	34.38	4	GU32613160	33.24	2	GU92249227	34.10	20
GU27061585	34.37	3	GU32615660	33.24	14	GU92252210	34.39	2
GU27061885	34.37	17	GU32632510	33.25	17	GU92252235	34.10	5
GU27062060	34.37	6	GU32633360	33.25	14	GU92296723	34.39	6
GU27065660	34.37	7	GU32633560	34.10	11	GU92602406	34.38	9



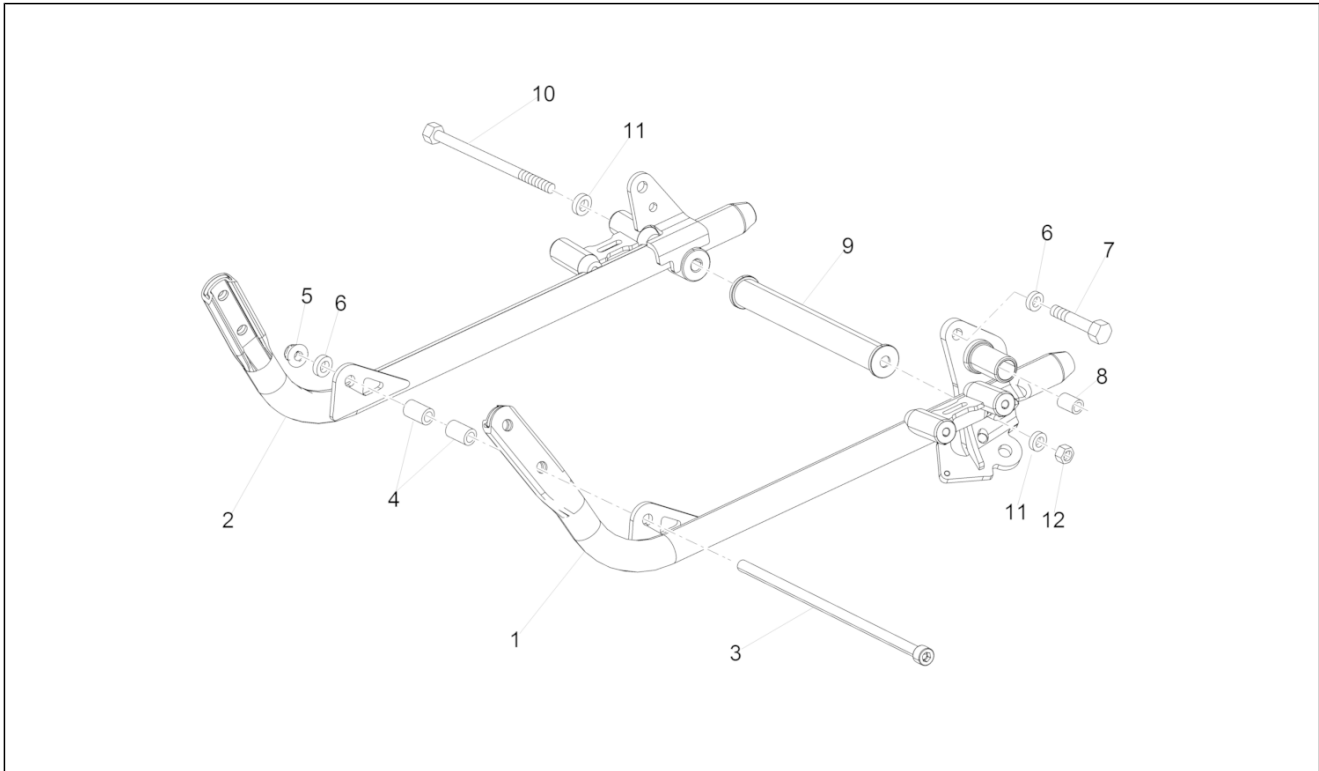
Code	No. table	Pos.	Code	No. table	Pos.
GU92602510	34.39	19	GU95129260	33.06	3
GU92603010	34.36	11	GU95187006	34.39	13
GU92606206	33.17	6	GU95500221	33.26	10
GU92606208	34.34	7	GU95500222	34.41	22
GU92606210	33.01	9	GU96451430	34.34	3
GU92606210	33.02	5	GU96451560	34.34	2
GU92606210	33.11	7	GU96506042	34.36	5
GU92606210	34.09	18	GU96508055	34.10	12
GU92606316	33.25	16	GU96508055	34.34	4
GU92606508	34.41	21	GU96510181	34.36	15
GU92609007	33.26	12	GU96510214	34.36	14
GU92630204	33.16	8	GU97202325	33.18	12
GU92630206	33.26	6	GU98054422	34.38	28
GU92630207	33.24	18	GU98082565	33.02	7
GU92630510	33.01	3	GU98084314	34.39	12
GU92630707	33.06	5	GU98084425	33.01	17
GU92660021	33.26	7	GU98110199	33.01	7
GU92787006	33.28	6	GU98230510	33.18	19
GU92787006	33.29	11	GU98230512	33.15	6
GU93180105	33.13	10	GU98230525	33.14	8
GU93180105	34.09	21	GU98350215	33.29	12
GU93180111	33.24	13	GU98350416	33.01	5
GU93180245	34.36	22	GU98370515	33.14	17
GU93222023	33.17	4	GU98370520	33.23	11
GU93231605	33.29	14	GU98370520	33.23	25
GU93301313	33.48	15	GU98370609	33.17	2
GU93450105	33.28	9	GU98370619	33.23	24
GU93450126	33.28	15	GU98370621	33.15	5
GU93450126	33.29	7	GU98370625	33.14	4
GU93450224	33.29	3	GU98370625	33.26	17
GU93450232	33.28	10	GU98370655	33.28	7
GU94321079	34.39	24	GU98370655	33.29	9
GU94321099	34.09	6	GU98612216	33.25	19
GU94321105	34.41	23	GU98622322	34.47	9
GU95005306	33.17	3	GU98632322	33.06	6
GU95005308	33.26	9	GU98680440	34.40	27
GU95005308	33.28	23	GU98680545	34.09	16
GU95005308	34.09	22	GU98682212	33.30	15
GU95005310	33.26	5	GU98682212	33.31	12
GU95005311	33.48	4	GU98682212	34.45	5
GU95005320	33.23	14	GU98682312	33.25	20
GU95008205	33.30	16	GU98682325	34.34	11
GU95008206	34.39	23	GU98682325	34.35	3
GU95008208	33.01	6	GU98682330	34.35	4
GU95008208	34.46	3	GU98682414	33.01	15
GU95008210	33.01	8	GU98682416	33.32	7
GU95008210	33.02	6	GU98682430	33.12	9
GU95008210	33.31	4	GU98682435	34.46	2
GU95008210	34.09	17	GU98682530	33.01	2
GU95008305	33.18	20	GU98690335	33.18	8
GU95008306	34.40	18	GU98692325	34.36	16
GU95020105	33.03	10	GU98692414	33.17	11
GU95021104	33.19	2	GU98692420	33.23	28
GU95021105	33.18	21	GU98692420	33.28	22
GU95021206	33.17	5	GU98880540	33.28	21
GU95021206	33.28	8	GU98882316	34.38	21
GU95021206	33.29	10			
GU95100059	33.31	13			
GU95100125	34.45	8			
GU95100244	34.38	29			
GU95100309	34.39	27			
GU95100602	34.39	25			
GU95100709	34.34	21			
GU95129115	34.38	22			
GU95129180	34.34	27			
GU95129180	34.36	13			
GU95129181	33.11	6			

Group	FRAME
Code	33.01
Description	Frame I
Service	1



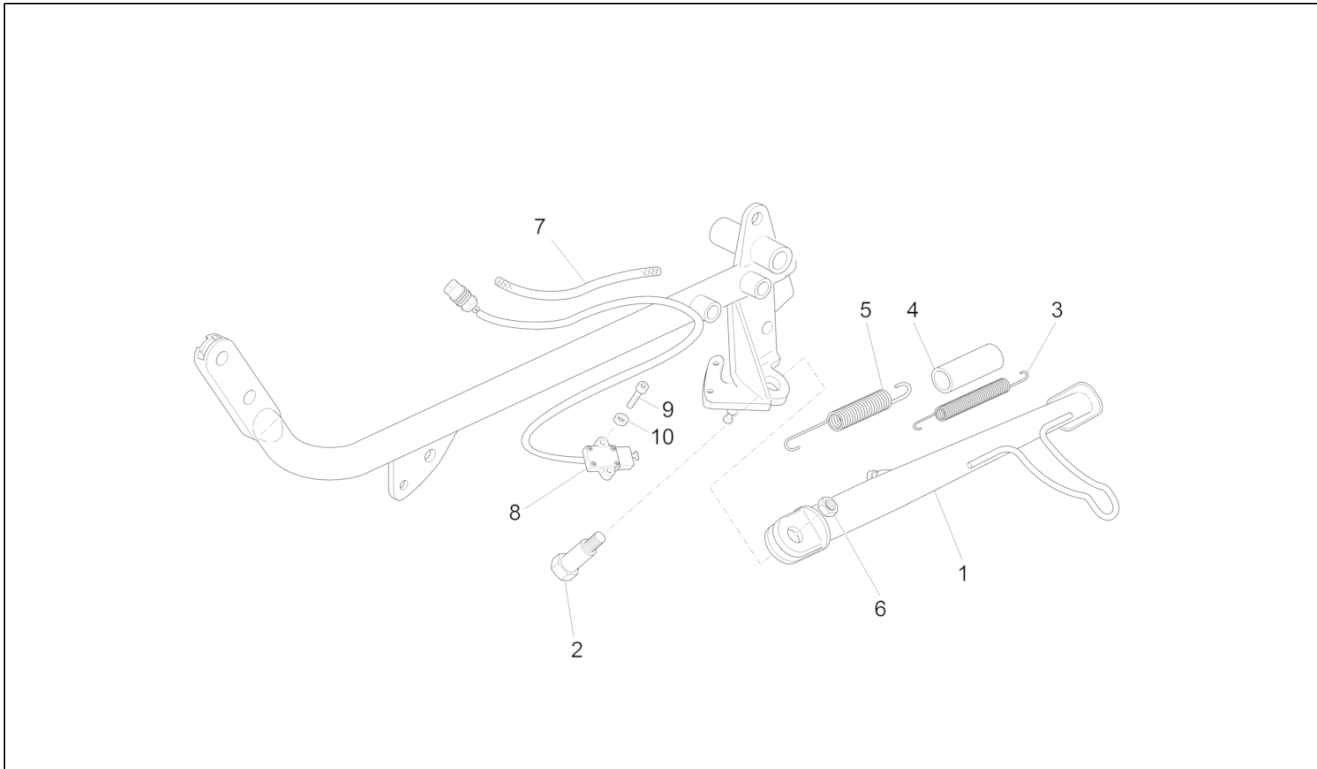
Pos.	Code	Description	Qty	Variants
1	2B003026	Frame, red	1	
2	GU98682530	Hex socket screw M10x30	4	
3	GU92630510	Nut M10x1,5	4	
4	B063287	Frame union plate	1	
5	GU98350416	Hex socket screw M8x16	4	
6	GU95008208	Washer 8,4X15X1,5	4	
7	GU98110199	Pin M10x205	1	
8	GU95008210	Washer 10,2X18X2	11	
9	GU92606210	Nut M10x1,5	3	
10	2B001035	Pin 234X10	2	
11	886645	Plate	2	
12	2B003029	Rear bow	1	
13	AP8120311	Rubber spacer	2	
14	GU66103415	Rubber spacer	2	
15	GU98682414	Hex socket screw	2	
16	AP8152350	Nut	2	
17	GU98084425	Hex screw M8x25	4	

Group	FRAME
Code	33.02
Description	Frame II
Service	1



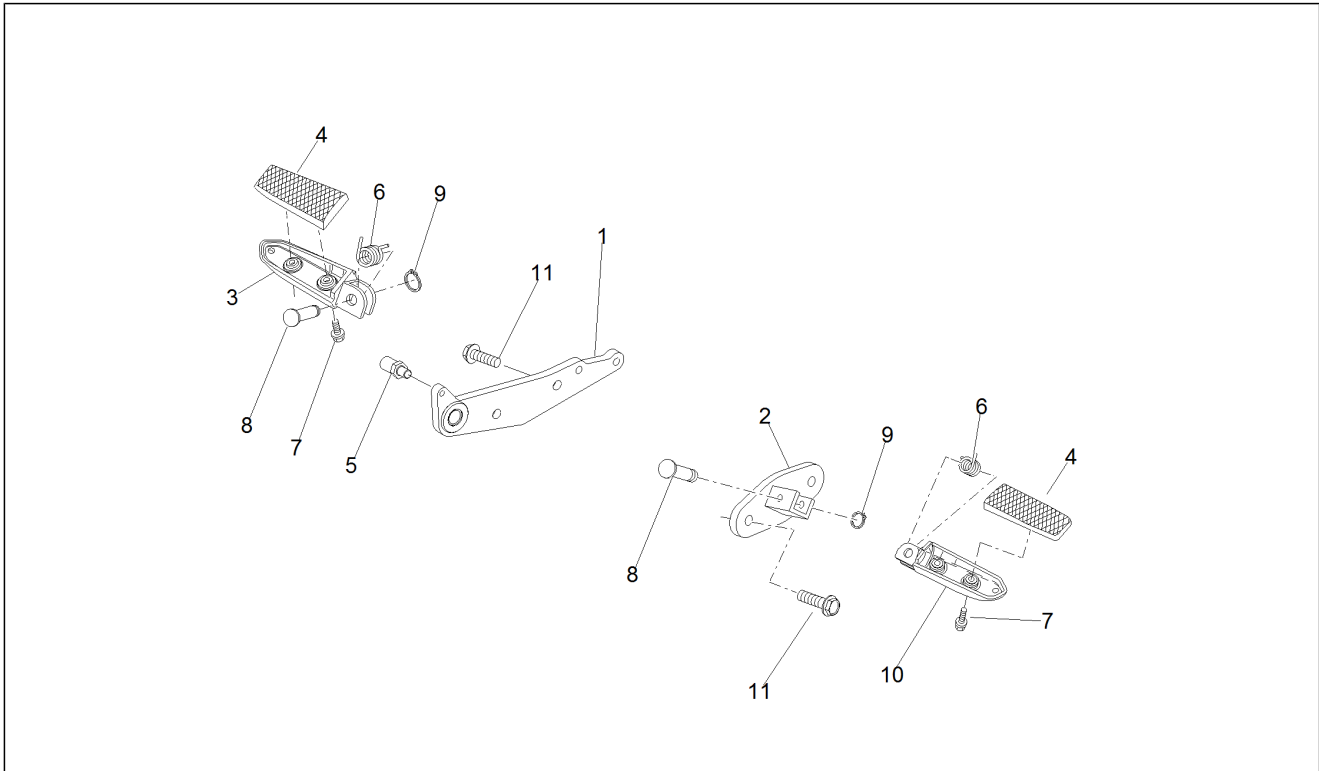
Pos.	Code	Description	Qty	Variants
1	2B003028	LH cradle arm	1	
2	2B003027	RH cradle arm	1	
3	2B001612	Pin M10X253	1	
4	GU19017000	Bushing	2	
5	GU92606210	Nut M10x1,5	3	
6	GU95008210	Washer 10,2X18X2	3	
7	GU98082565	screw M10x65	2	
8	2B001008	Bush	1	
9	2B001004	Crosspiece	1	
10	2B001230	Pin 278X10	1	
11	AP8152220	Washer	2	
12	AP8150436	Low self-locking nut	1	

Group	FRAME
Code	33.03
Description	Lateral stand
Service	1



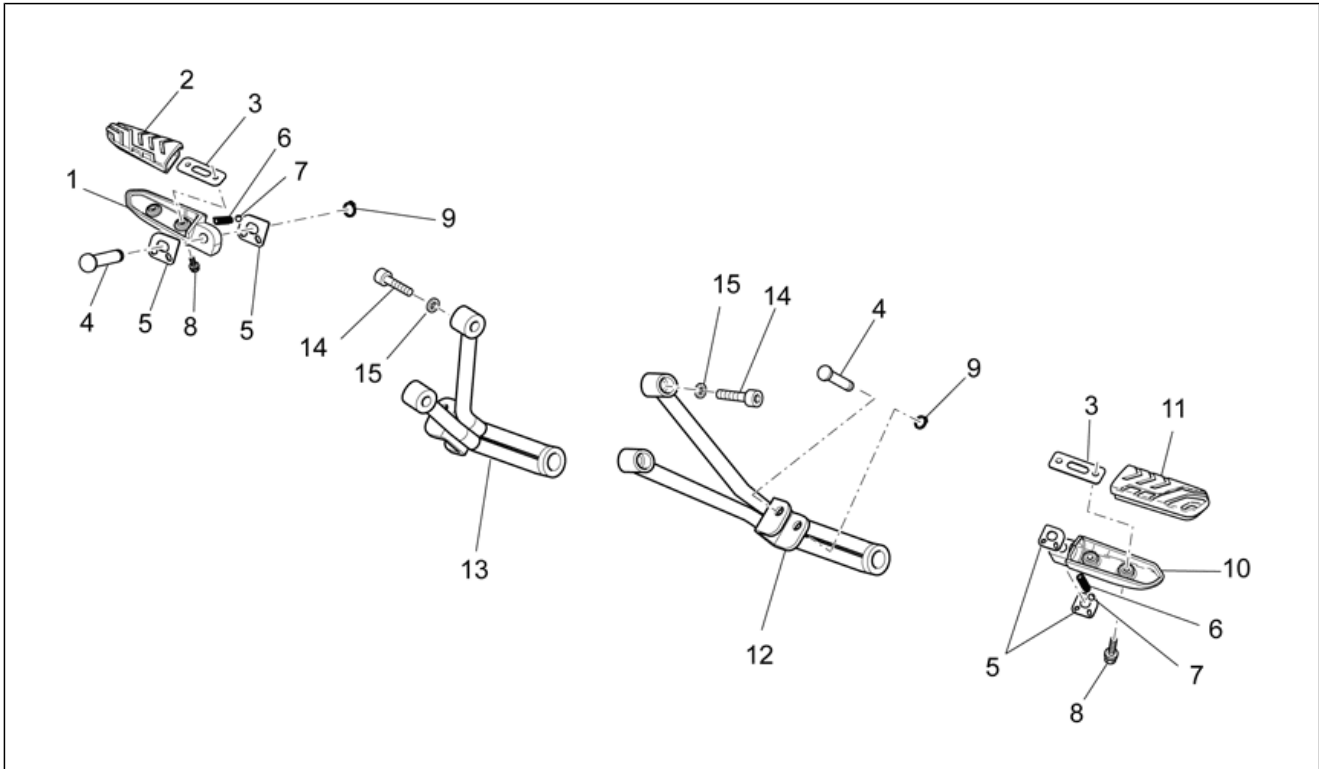
Pos.	Code	Description	Qty	Variants
1	2B003034	Lateral stand	1	
2	2B001088	Stand pin	1	
2	AP8121375	Central stand fixing screw	1	
3	AP8121014	Coil pull spring	1	
4	AP8102524	Stand spring protection	1	
5	AP8221197	Lateral stand spring	1	
6	967356	Flanged nut M10x1,25	1	
7	GU00823923140	Thermal sheath	1	
8	AP8127856	Lateral stand switch	1	
9	1C001499	TBEI TORX screw M5x16 INOX	2	
10	GU95020105	Washer 5,3x8,9x2,4	2	

Group	FRAME
Code	33.04
Description	Front footrests
Service	1



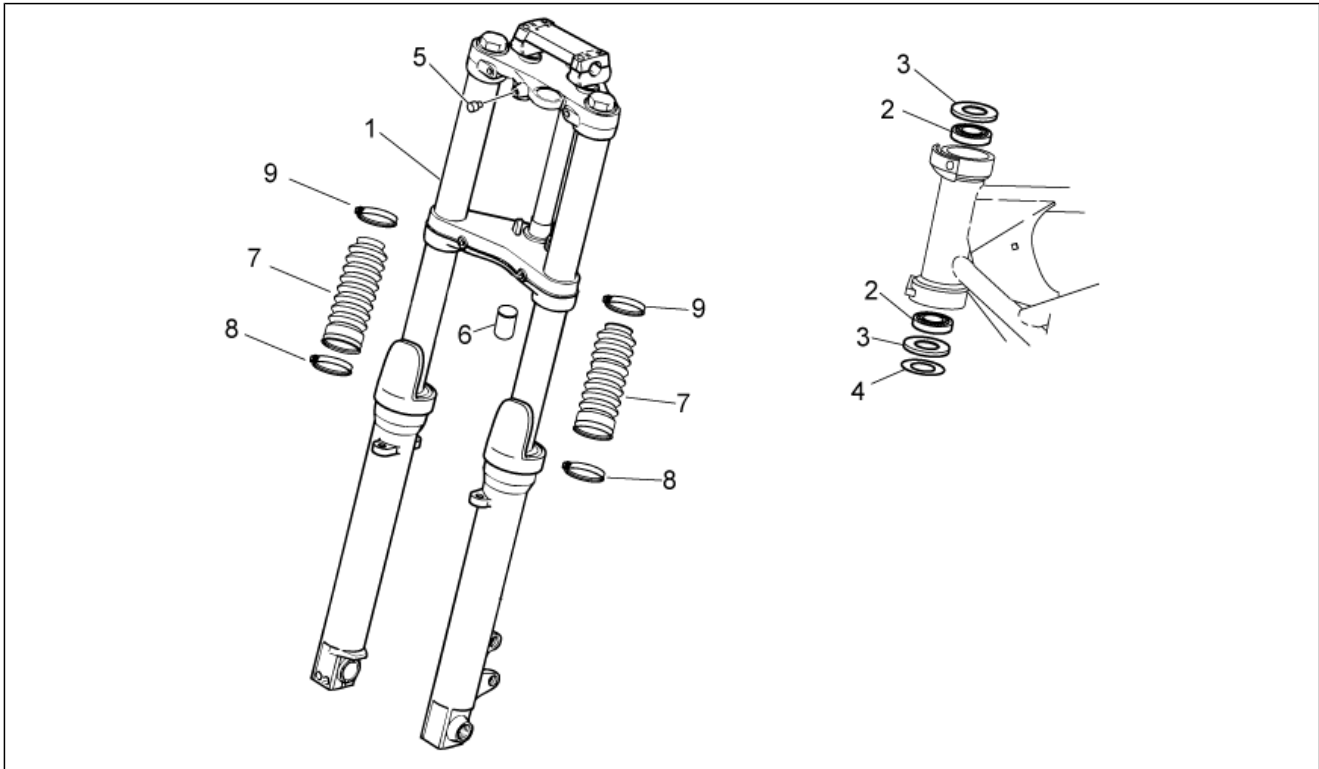
Pos.	Code	Description	Qty	Variants
1	883051	RH foot rest support	1	
2	883052	LH footrest support	1	
3	886184	RH Foot rests	1	
4	2R000275	Driver's footpeg	2	
5	B063132	Limit stop	1	
6	AP8221277	Footrest return spring	2	
7	AP8152277	Screw w/ flange M6x12	4	
8	CM228401	Footrest pin	2	
9	AP8120573	Stop ring	2	
10	886185	LH Foot rests	1	
11	2B002171	Special cap screw 8x25	4	

Group	FRAME
Code	33.05
Description	Rear footrests
Service	1



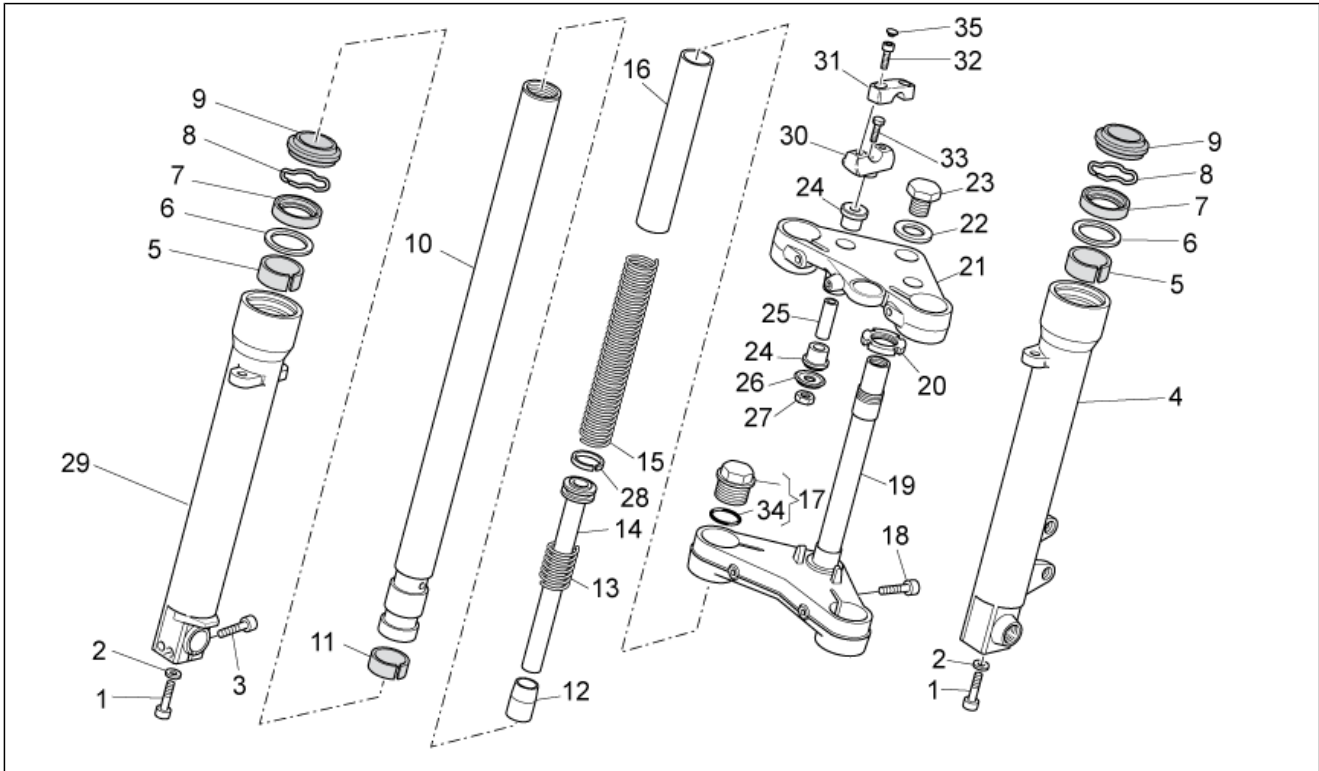
Pos.	Code	Description	Qty	Variants
1	GU32442310	Rear footrest, RH	1	
2	GU32443210	Support rubber part	1	
3	GU32441210	Plate	2	
4	CM228401	Footrest pin	2	
5	AP8134451	Footrest plate	4	
6	AP8121133	Coil compress. spring	2	
7	AP8101861	Ball D6,35	2	
8	AP8152277	Screw w/ flange M6x12	4	
9	AP8120573	Stop ring	2	
10	GU32442710	Rear footrest, LH	1	
11	GU32443211	Support rubber part	1	
12	2B003038	LH footrest support	1	
13	2B003037	RH footrest support	1	
14	2B002171	Special cap screw 8x25	4	
15	GU14615901	Washer 8,4X13X0,8	4	

Group	FRAME
Code	33.07
Description	Front fork I
Service	1



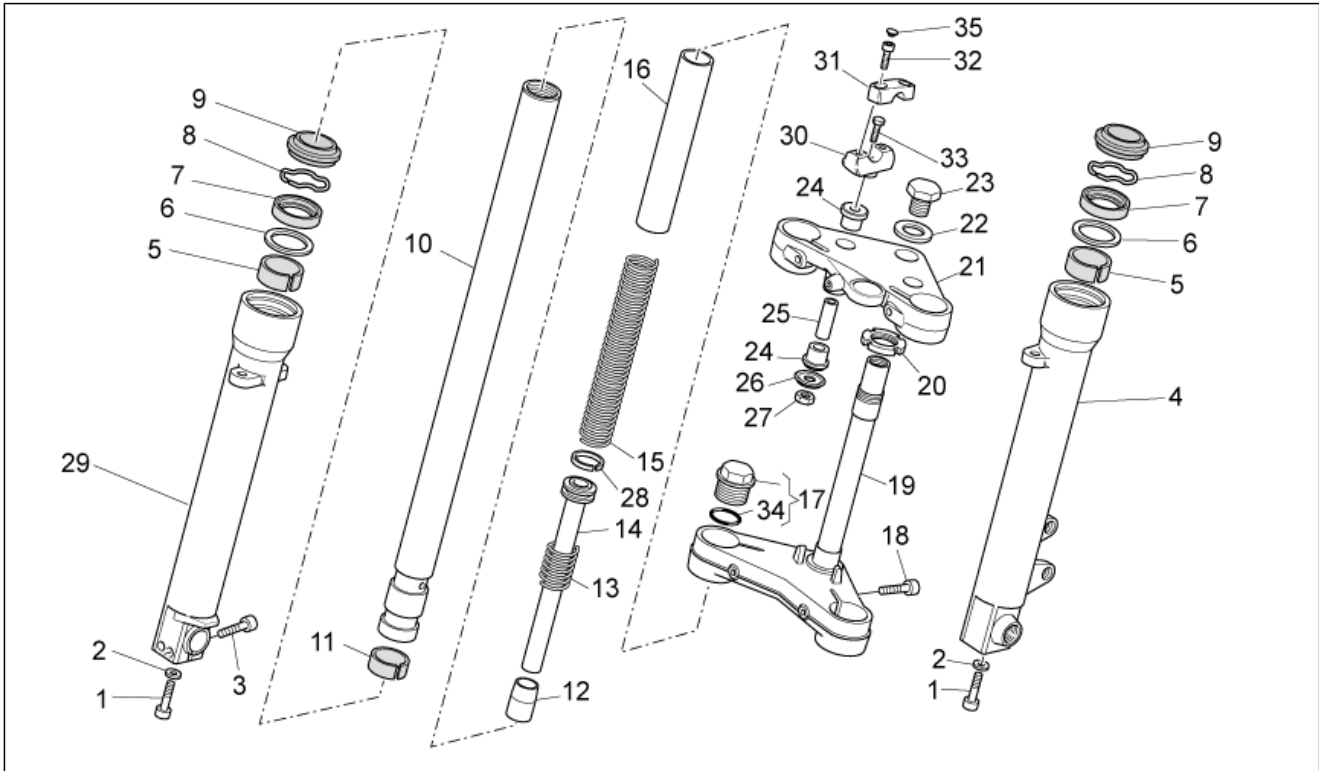
Pos.	Code	Description	Qty	Variants
1	2B001425	Front fork	1	
2	GU92249225	Tap.roller bearing	2	
3	AP8144146	Gasket ring	1	
4	AP8121307	Washer	1	
5	AP8144081	Rubber spacer	1	
6	AP8220460	Rubber cup	1	
7	898086	Anti-dust tube	2	
8	CM001928	Hose clamp 44	2	
9	CM001929	Hose clamp 63.5	2	

Group	FRAME
Code	33.08
Description	Fron fork II
Service	1



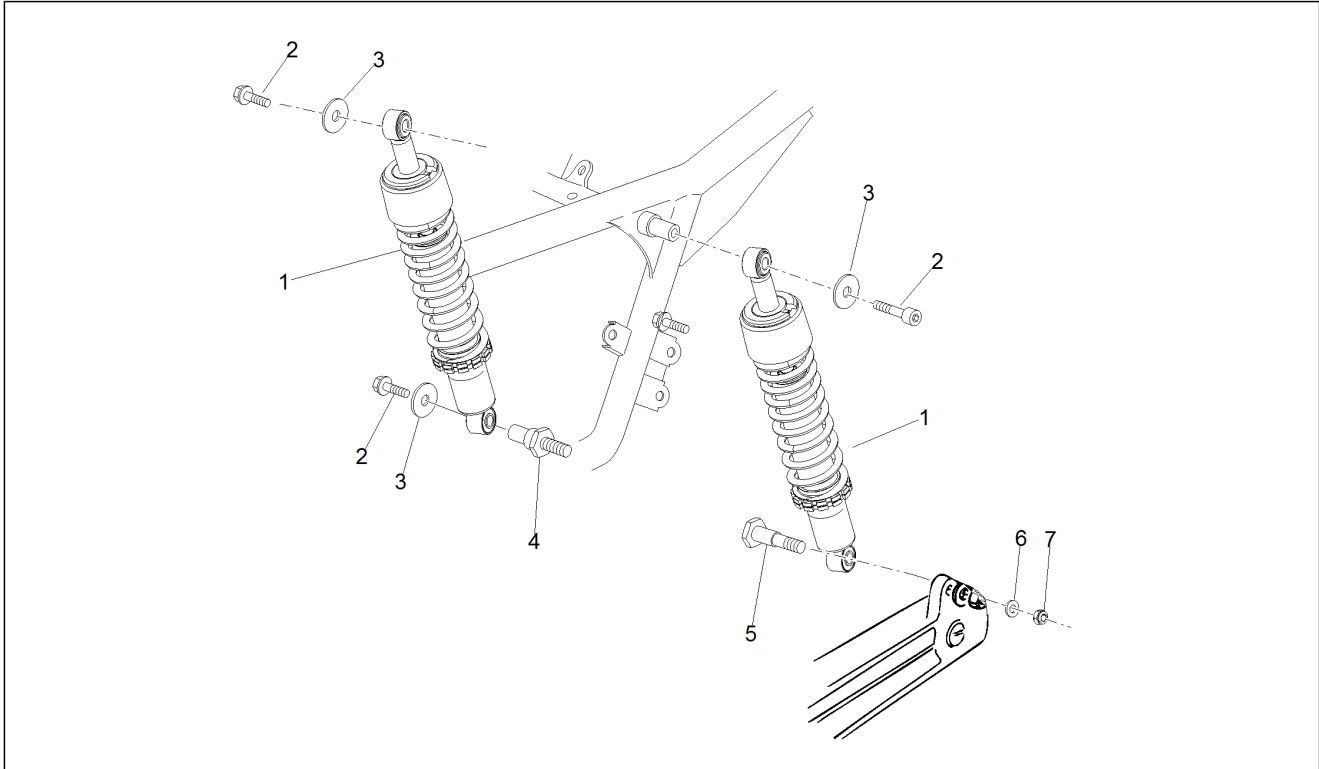
Pos.	Code	Description	Qty	Variants
1	887878	screw M10x30	2	
2	887879	Washer	2	
3	887880	screw	2	
4	2R000110	LH sleeve	1	
5	887882	Upper bush	2	
6	887883	Washer	2	
7	887884	Gasket ring	2	
8	887885	Stop ring	2	
9	887886	Dust cover	2	
10	2B001591	Sleeve	2	
11	887888	Bush	2	
12	887889	Pad	2	
13	887890	Return spring	2	
14	887891	Plunger, complete	2	
15	2R000243	Spring	2	
16	887893	pipe	2	
17	887894	Plug cpl.	2	
18	887895	screw	2	
19	887896	Stem base	1	
20	GU31513480	Ring nut M25X1	1	
21	887898	Upper plate	1	
22	887899	Washer	1	
23	887900	Nut	1	
24	887901	Rubber spacer	4	
25	887902	Spacer	2	
26	887903	Cup	2	
27	887904	Nut	2	
28	887905	Ring	2	

Group	FRAME
Code	33.08
Description	Fron fork II
Service	1



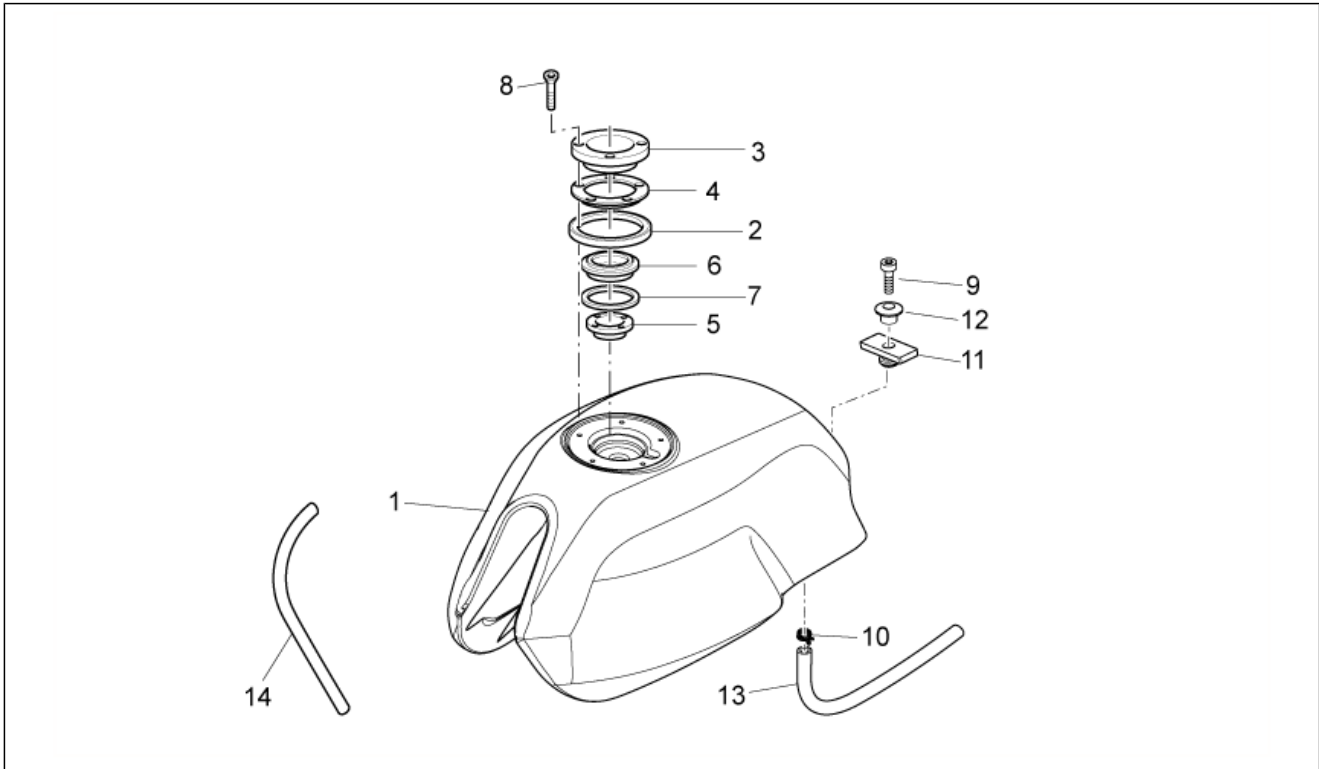
Pos.	Code	Description	Qty	Variants
29	2R000109	RH sleeve	1	
30	887912	Lower U-bolt	2	
31	887913	Upper U-bolt	2	
32	887914	screw M8x30	4	
33	887915	screw M10x60	2	
34	887916	O-ring 4118	2	
35	GU23943410	Plug	4	

Group	FRAME
Code	33.11
Description	Rear shock absorber
Service	1



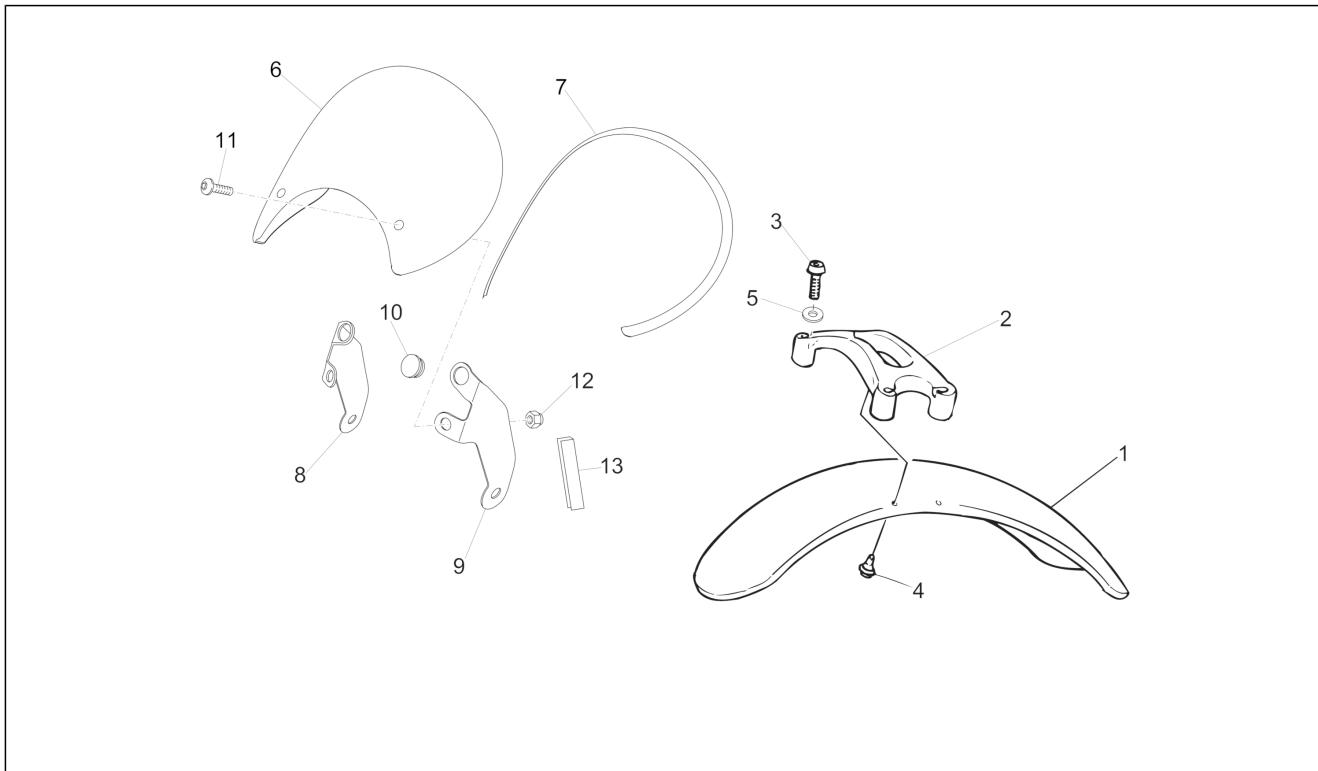
Pos.	Code	Description	Qty	Variants
1	2B000899	Rear shock absorber	2	
2	2B002194	Vite TCEI IX M6X18 preimpregnata	1	
3	898164	Shock abs. spacer	3	
4	GU32555210	Pin	1	
5	GU32555211	Pin	1	
6	GU95129181	Washer	1	
7	GU92606210	Nut M10x1,5	1	

Group	FRAME
Code	33.12
Description	Fuel tank
Service	1



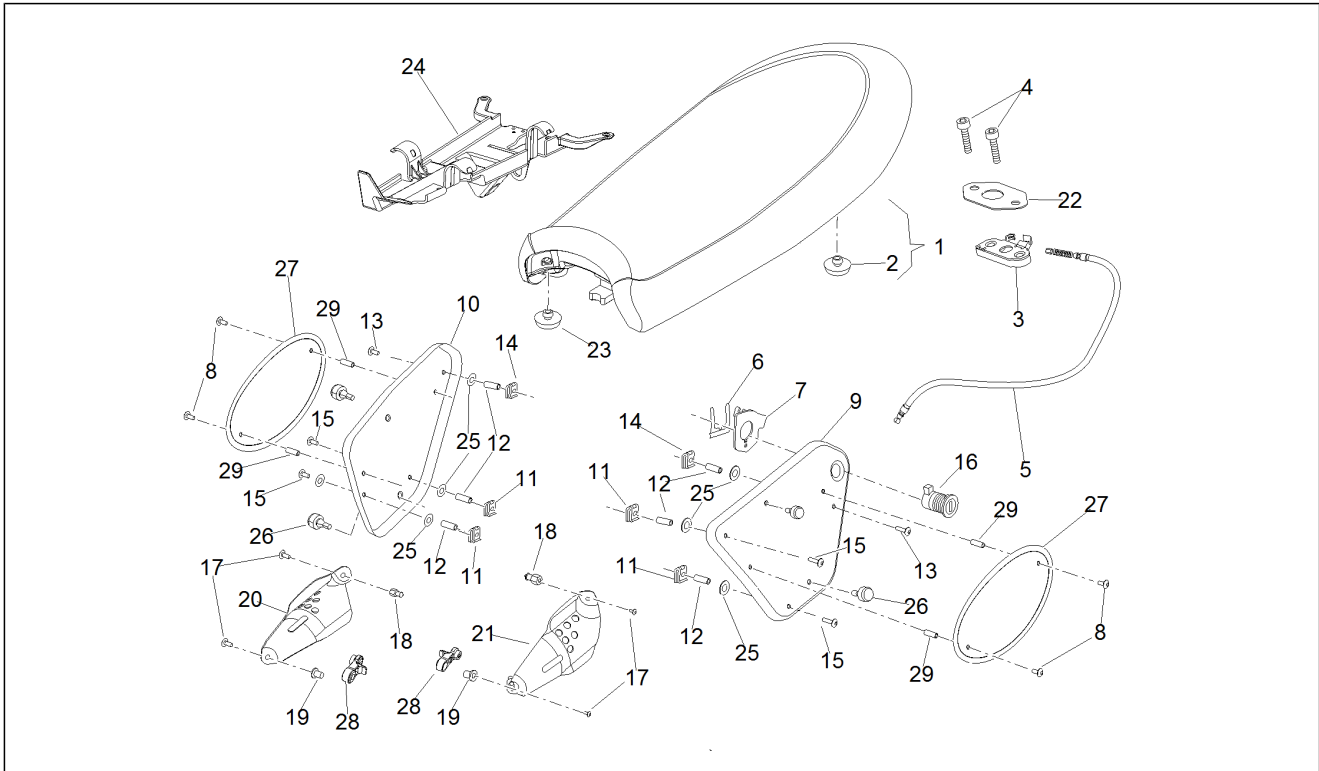
Pos.	Code	Description	Qty	Variants
1	2H001362000XB3	Fuel tank	1	Technical Specifications: Decal[D]
1	887944	Fuel tank blank metal	1	Vehicle colour: Blank[gr]
2	GU03102400	Gasket	1	
3	GU03101900	Flange	1	
4	GU03103500	Ring	1	
5	883502	Reduction 24 mm	1	
6	GU03102200	Plug ring nut	1	
7	GU03101600	Gasket	2	
8	GU03103200	screw	5	
9	GU98682430	Hex socket screw M8x30	1	
10	AP8101595	Hose clamp D10,1	1	
11	AP8120557	Tank rubber	1	
12	AP8121673	T bush *	1	
13	GU00823944050	pipe 5X9	1	
14	2B000909	Gasket	1	

Group	FRAME
Code	33.13
Description	Front body - Front mudguard
Service	1



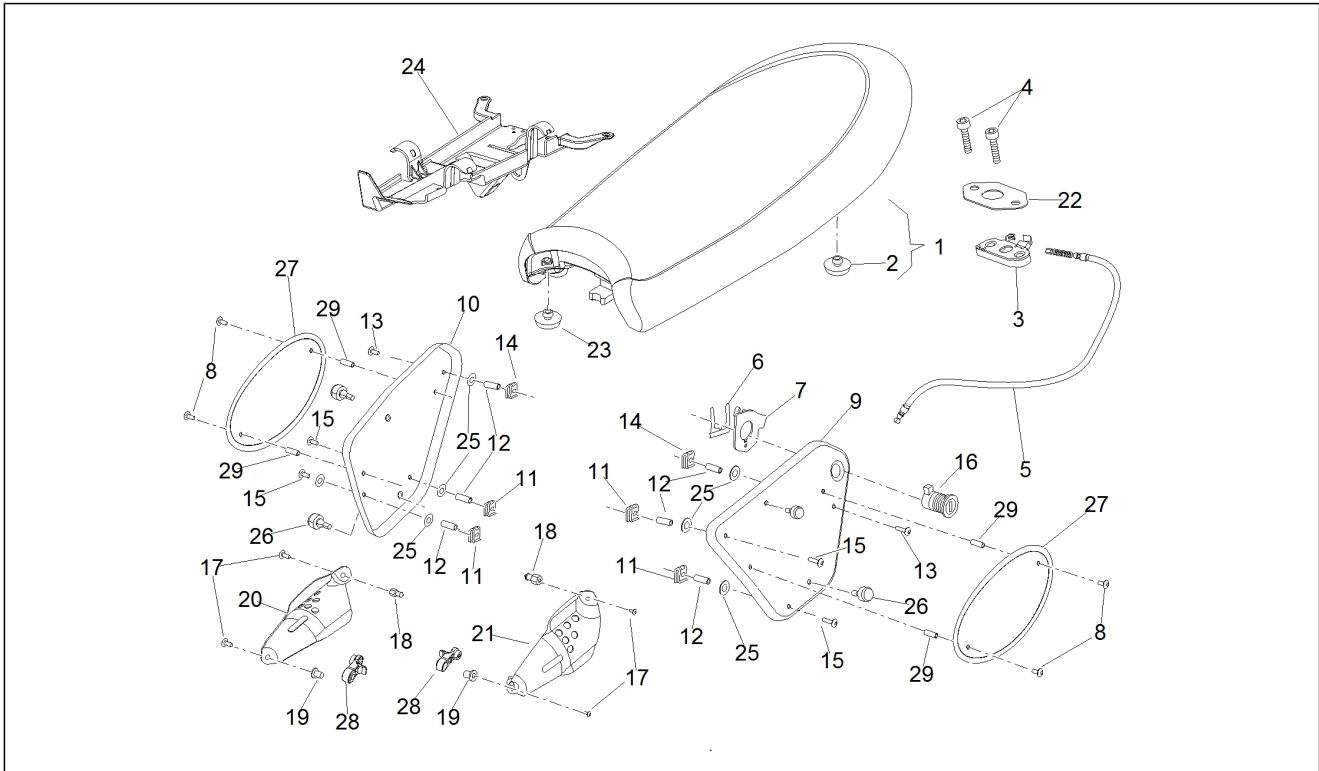
Pos.	Code	Description	Qty	Variants
1	2S000236	Front mudguard	1	
2	883266	Stabilization plate	1	
3	624995	screw M6x16	4	
4	GU31439565	Special screw	4	
5	658830	Curved spring washer 6x12	4	
6	2S000234	Cupolino satinato	1	
7	AP8144606	Gasket 10X5	1	
8	2B003267	Supporto dx cupolino	1	
9	2B003268	Supporto sx cupolino	1	
10	GU93180105	Cover	2	
11	884029	Hex socket screw M6x10	2	
12	AP8150430	Low self-locking nut	2	
13	AP8144606	Gasket 10X5	1	

Group	FRAME
Code	33.14
Description	Saddle-Central bod
Service	1



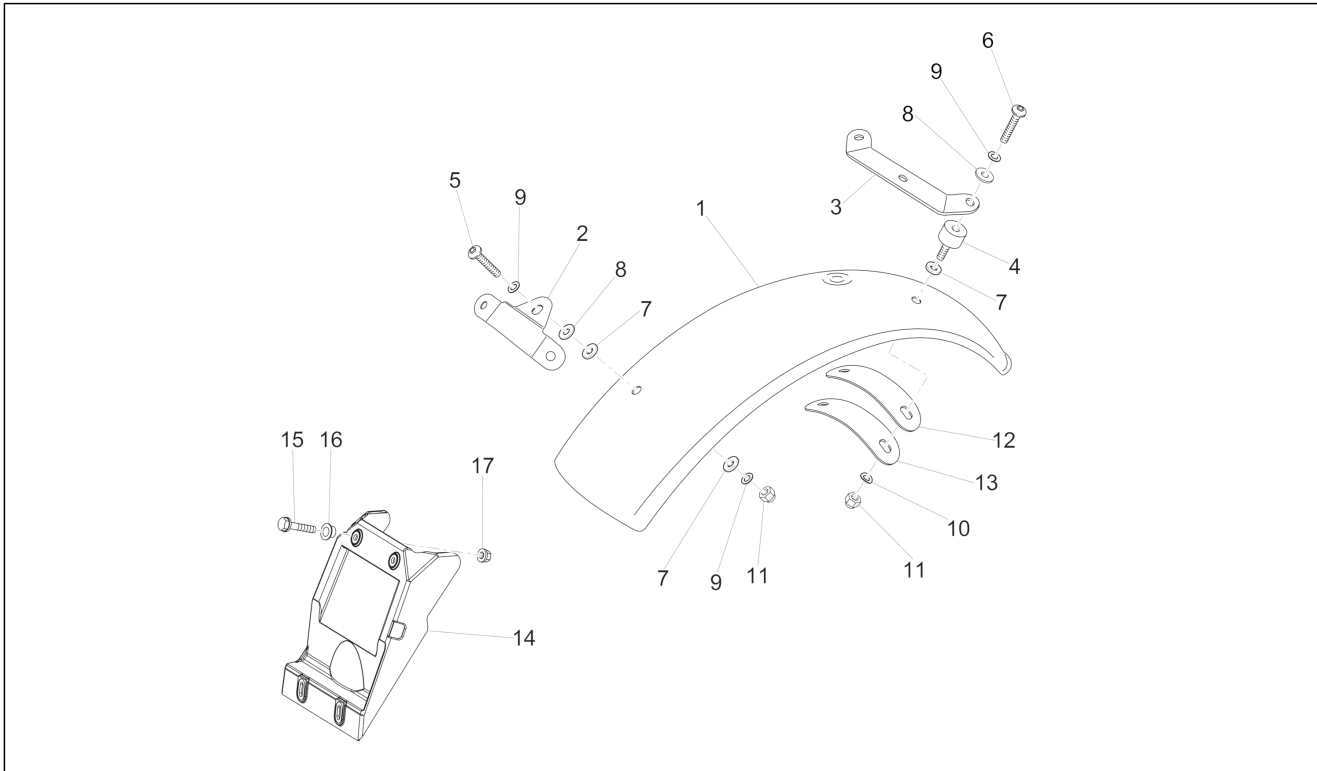
Pos.	Code	Description	Qty	Variants
1	2R000276	Saddle	1	
2	GU32461610	Rubber spacer	8	
3	831153	Screw	1	
4	GU98370625	Hex socket screw	2	
5	883295	Saddle release cable	1	
6	AP8121420	Fork spring	1	
7	978415	Cable fixing plate	1	
8	GU98230525	Hex socket screw M5x25	4	
9	2S000250	LH side panel, black	1	
10	2S000249	RH side panel, black	1	
11	AP8102798	Clip M6	4	
12	2S000223	Spacer L=31	6	
13	B005310	Hex socket screw M5x45	2	
14	AP8102375	Clip m5	2	
15			2	
16	977527	Locking complete with keys	1	
17	GU98370515	screw	4	
18	AP8120531	Rubber w/ insert	2	
19	886727	Fixing pin	2	
20	2B000841	Right throttle cover	1	
21	2B000842	Left throttle cover	1	
22	886820	Saddle lock fix. plate	0	
23	B063429	Rubber spacer	0	
24	B063431	Protection	0	
25			0	
26	AP8706087	Rubber spacer	2	
27	2B003254	***Lateral body side	2	
28	2B001988	Maintenance	2	

Group	FRAME
Code	33.14
Description	Saddle-Central bod
Service	1



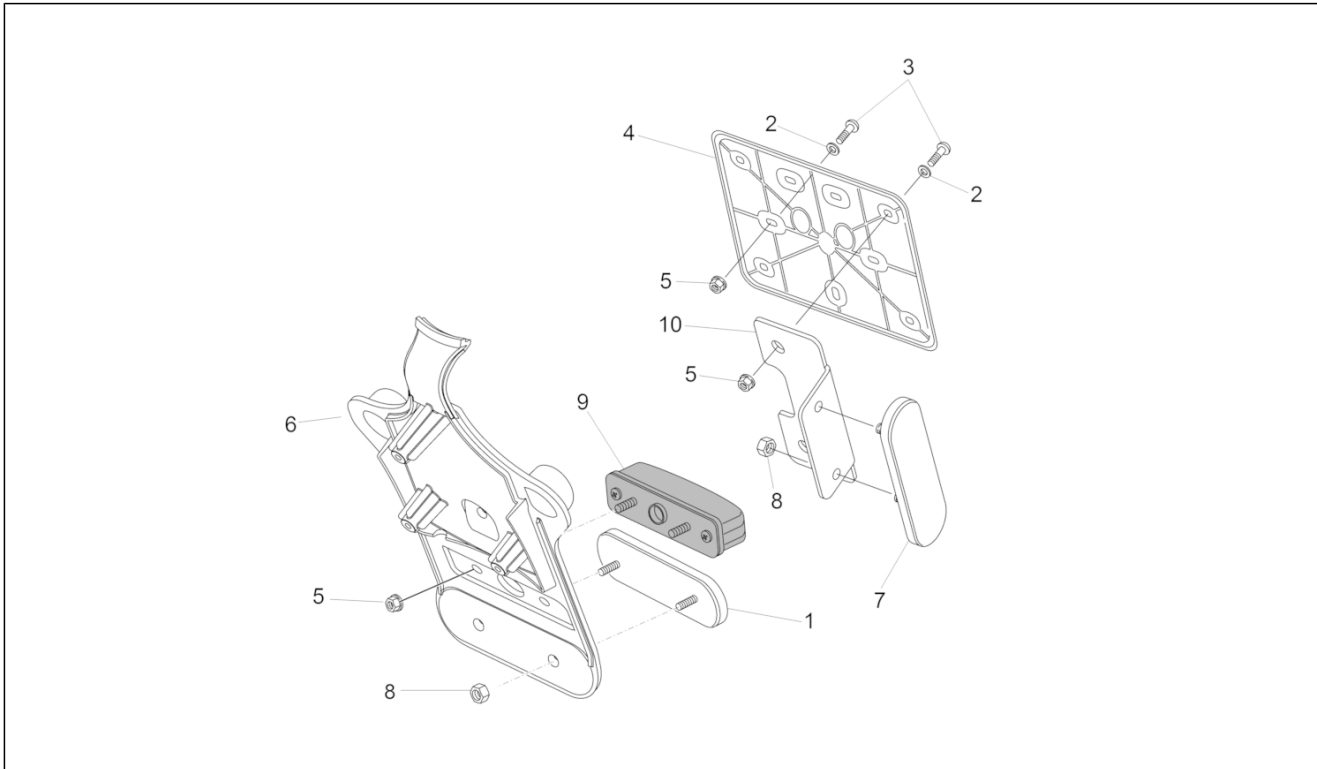
Pos.	Code	Description	Qty	Variants
29	2S000222	Spacer L=11	4	

Group	FRAME
Code	33.15
Description	Rear body I- Mudguard
Service	1



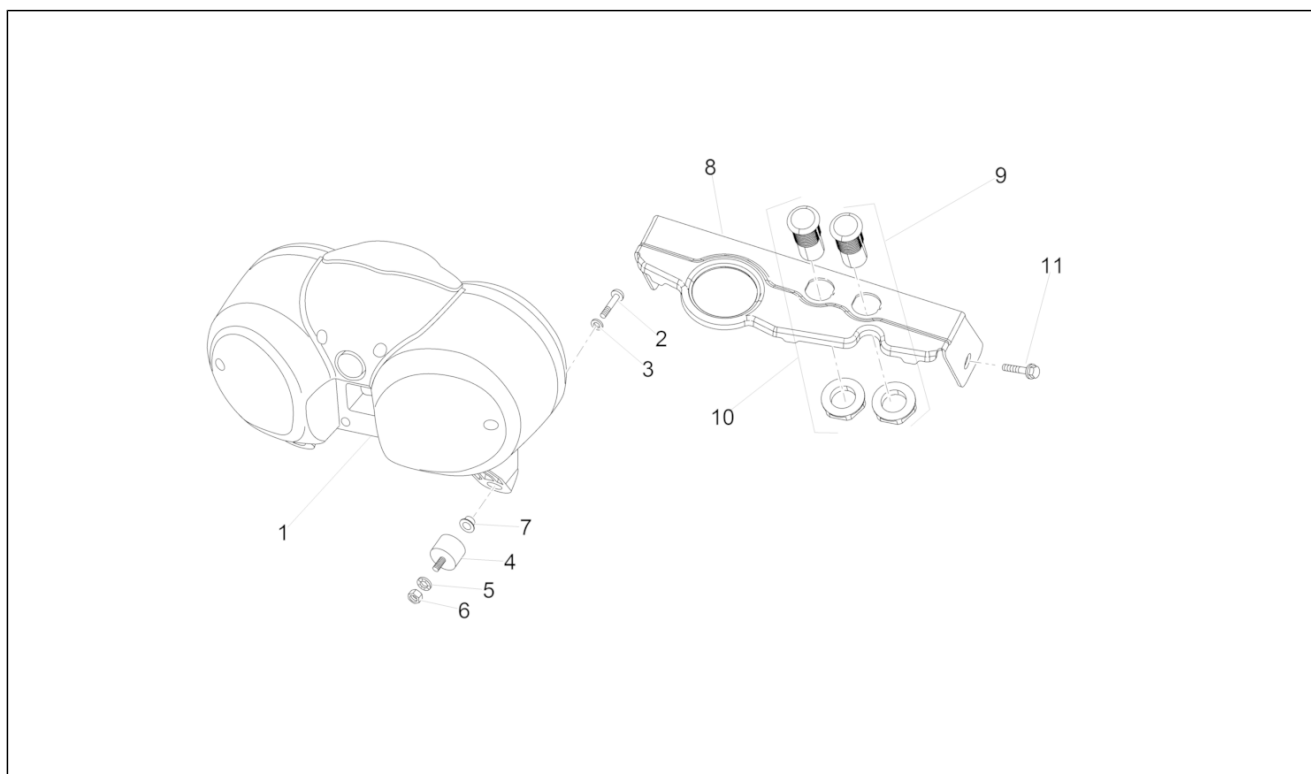
Pos.	Code	Description	Qty	Variants
1	2S000237	Parafango post. satinato	1	
2	2S000251	Staffa ant. di fissaggio	1	
3	2S000252	Staffa post. di fissaggio	1	
4	AP8120459	Gommino antivibrante M6 maschio/femmina	2	
5	GU98370621	Hex socket screw M6x20	1	
6	GU98230512	Hex socket screw	2	
7			4	
8	AP8150378	Washer 6,4x18x2	3	
9	AP8150380	Washer 12,5x6,4*	4	
10	658830	Curved spring washer 6x12	2	
11	AP8150430	Low self-locking nut	3	
12	2S000255	Gomma fustellata	1	
13	2S000254	Piastrina inox	1	
14	2B001783	Rear splash guard	1	
15	598839	Screw w/ flange	4	
16	AP8121032	Bush	6	
17	AP8152299	Self-locking nut M6	6	

Group	FRAME
Code	33.16
Description	Rear body II- Plate holder
Service	1



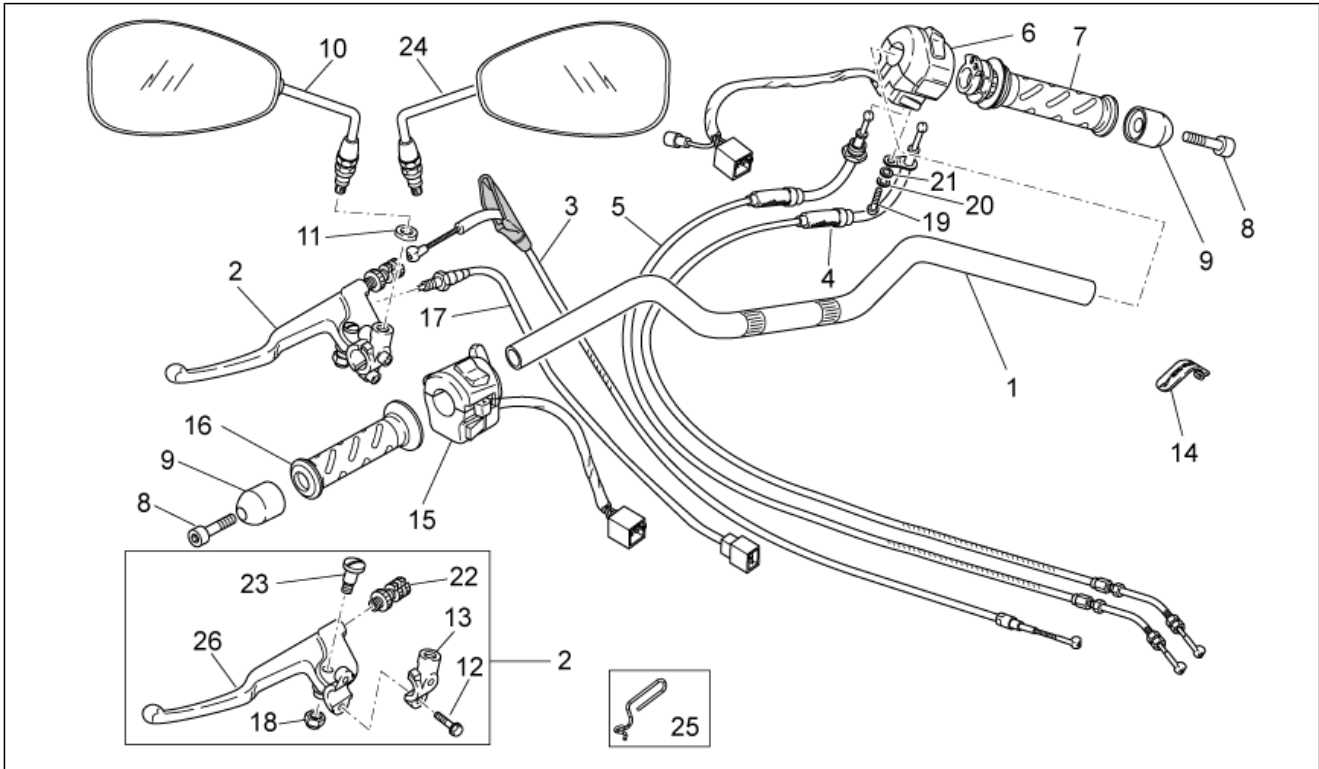
Pos.	Code	Description	Qty	Variants
1	GU05781630	Reflector, amber	1	
2	AP8150248	Washer 5,5x15x1,6	7	
3	AP8152268	Hex socket screw M5x16	7	
4	AP8149034	Number plate support	1	
5	AP8152306	Self-locking nut m5	1	
6	2S0004985	Number plate holder	1	
7	AP8124718	Rear reflector, red	2	
8	GU92630204	Nut	6	
9	883480	Number-plate light	1	
10	GU32781910	Reflector support	2	

Group	FRAME
Code	33.17
Description	Dashboard
Service	1



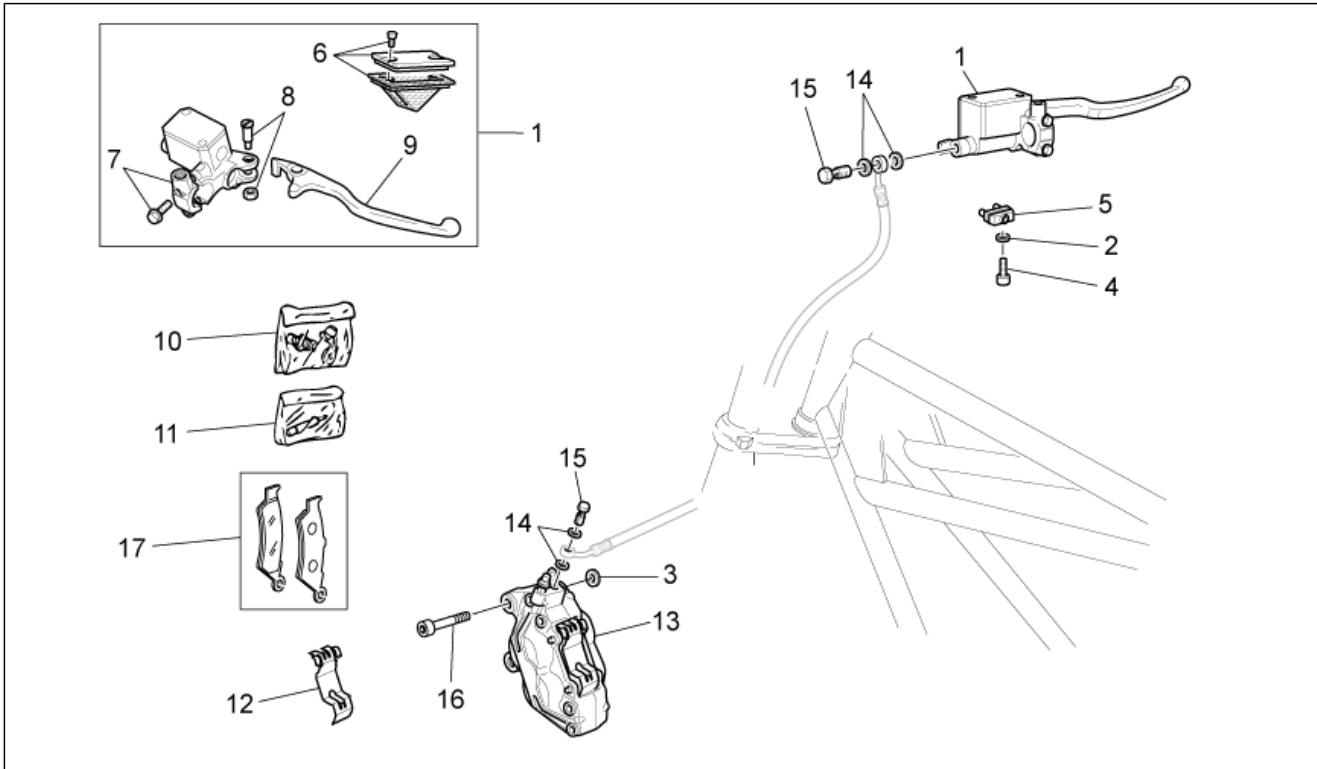
Pos.	Code	Description	Qty	Variants
1	887195	Dashboard complete MPH	1	
2	GU98370609	Hex socket screw M6x10	3	
3	GU95005306	Washer 6,4x13x1,5	3	
4	GU93222023	Silent-block	3	
5	GU95021206	Washer	3	
6	GU92606206	Nut	3	
7	AP8121032	Bush	3	
8	2B003051	Instrument frame	1	
9	2D000022	Tell tale lamp MGCT	1	
10	2D000021	Tell tale lamp ABS	1	
11	GU98692414	screw M8x14	2	

Group	FRAME
Code	33.18
Description	Handlebar - Controls
Service	1



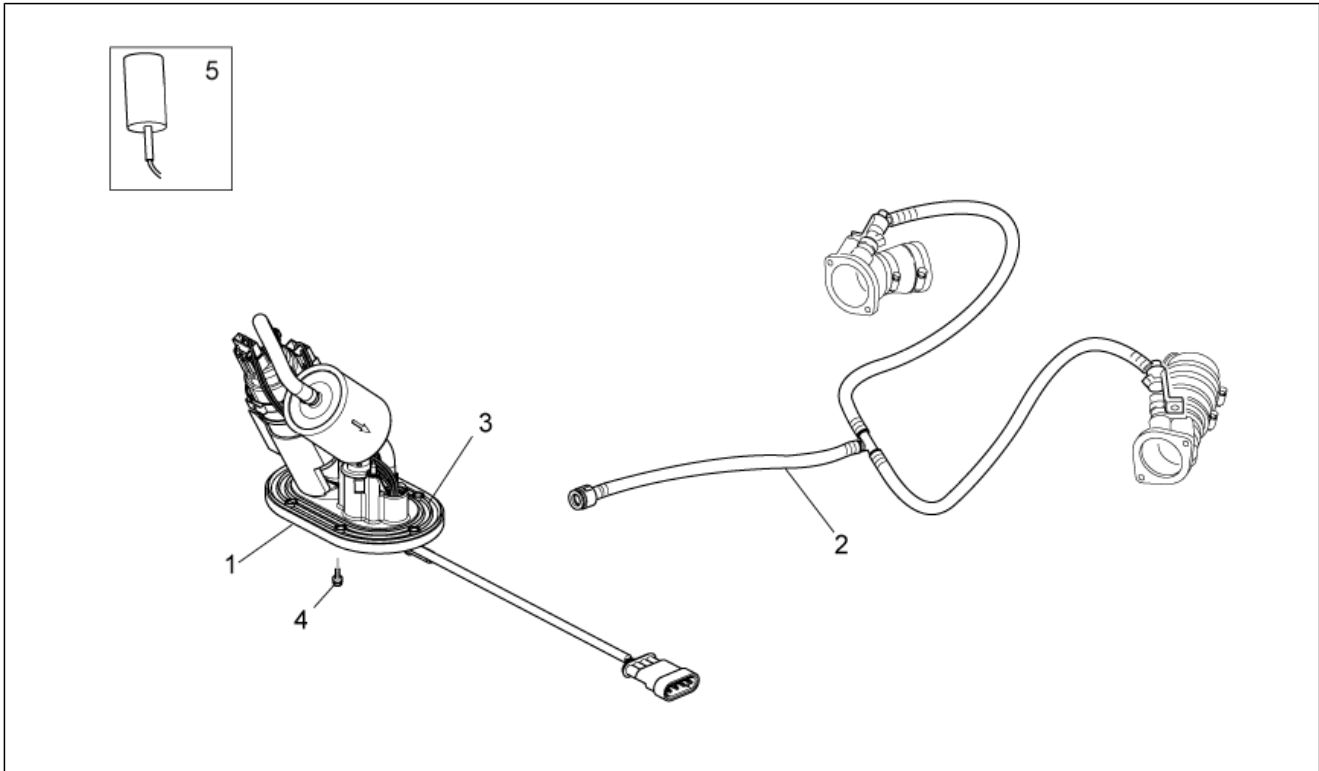
Pos.	Code	Description	Qty	Variants
1	2B000671	Handlebar	1	
2	2B001300	Clutch lever cpl.	1	
3	2B001202	Clutch cable	1	
4	887852	Gas trasmission delivery	1	
5	887853	Gas trasmission return	1	
6	B063135	RH lights selector	1	
7	GU32603310	RH hand grip	1	
8	GU98690335	Hex socket screw	2	
9	AP8104509	Anti.v weight, black	2	
10	2B001049	LH rearview mirror	1	
11	GU91181003	Spacer 10,25X20X4	2	
12	GU97202325	Black screw w/ flange M6x25	2	
13	GU30601060	Clump	1	
14	GU01609630	Hose clamp L46 mm	2	
14	GU03609600	Hose clamp L36 mm	1	
15	B063975	LH lights selector	1	
16	GU32603010	LH hand grip	1	
17	GU29759150	Lateral stand switch	1	
18	AP8213388	Self-locking nut	1	
19	GU98230510	Hex socket screw	1	
20	GU95008305	Washer 5,3X10X1	1	
21	GU95021105	Notched washer	1	
22	GU30602500	Register	1	
23	AP8213028	screw	1	
24	2B001048	RH rearview mirror	1	
25	2B001138	Fairlead	1	
26	2B001998	Clutch control lever	1	

Group	FRAME
Code	33.19
Description	Front brake system
Service	1



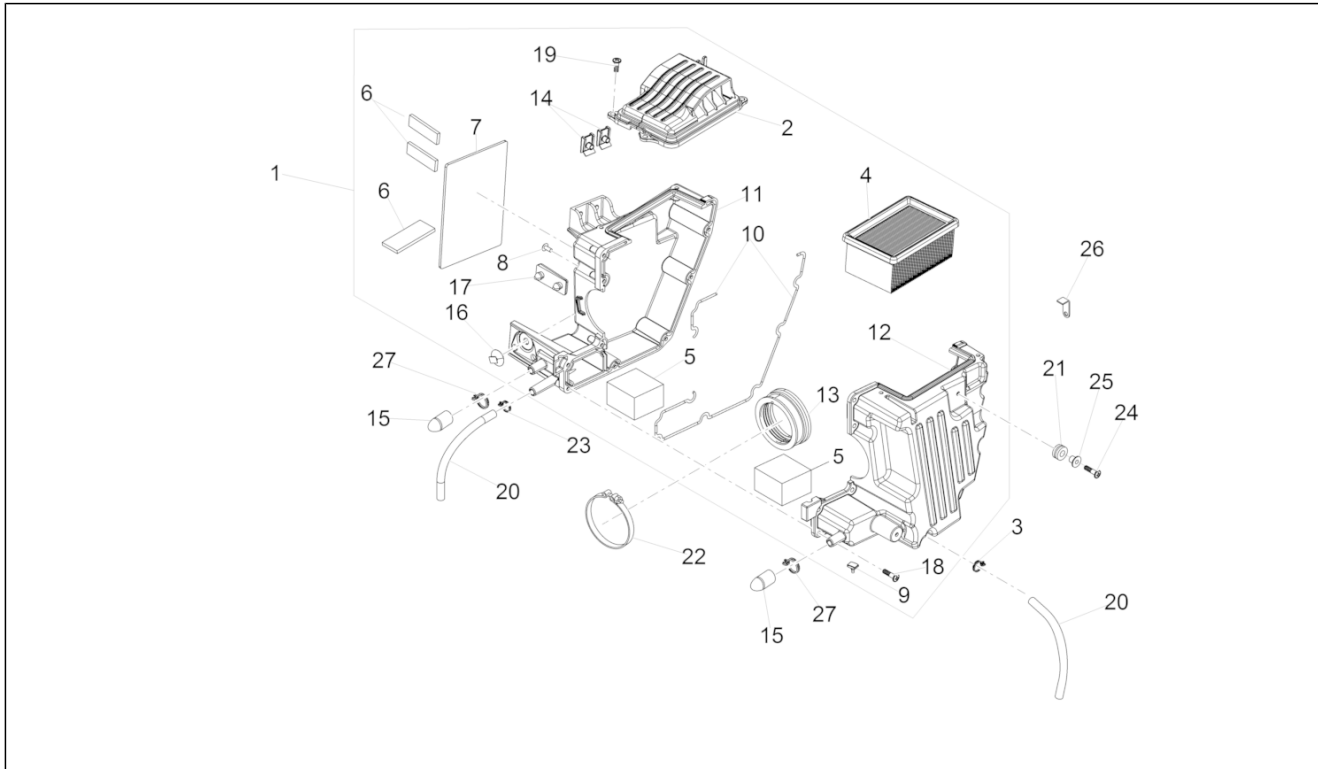
Pos.	Code	Description	Qty	Variants
1	2B001199	Front master cilinder	1	
2	GU95021104	Washer 4,3x8x1,5	1	
3	GU91181003	Spacer 10,25X20X4	2	
4	AP8152043	Hex socket screw M4x10	1	
5	GU03749845	Stop switch	1	
6	2B001928	Pump cover	1	
7	2B001929	Bracket	1	
8	2B001927	Lever pin cpl.	1	
9	2B001926	Brake lever	1	
10	GU05659230	Bleeder+cap	1	
11	GU01659130	Pins+Caliper springs	1	
12	GU01659131	Spring	1	
13	2B001197	Front disk brake caliper l.h.	1	
14	AP8113004	Washer 10x14x1,6*	4	
15	AP8113003	Oil pipe screw	2	
16	AP8152385	Hex socket screw M10x1,25	2	
17	883673	Pads pair	1	

Group	FRAME
Code	33.21
Description	Fuel pump
Service	1



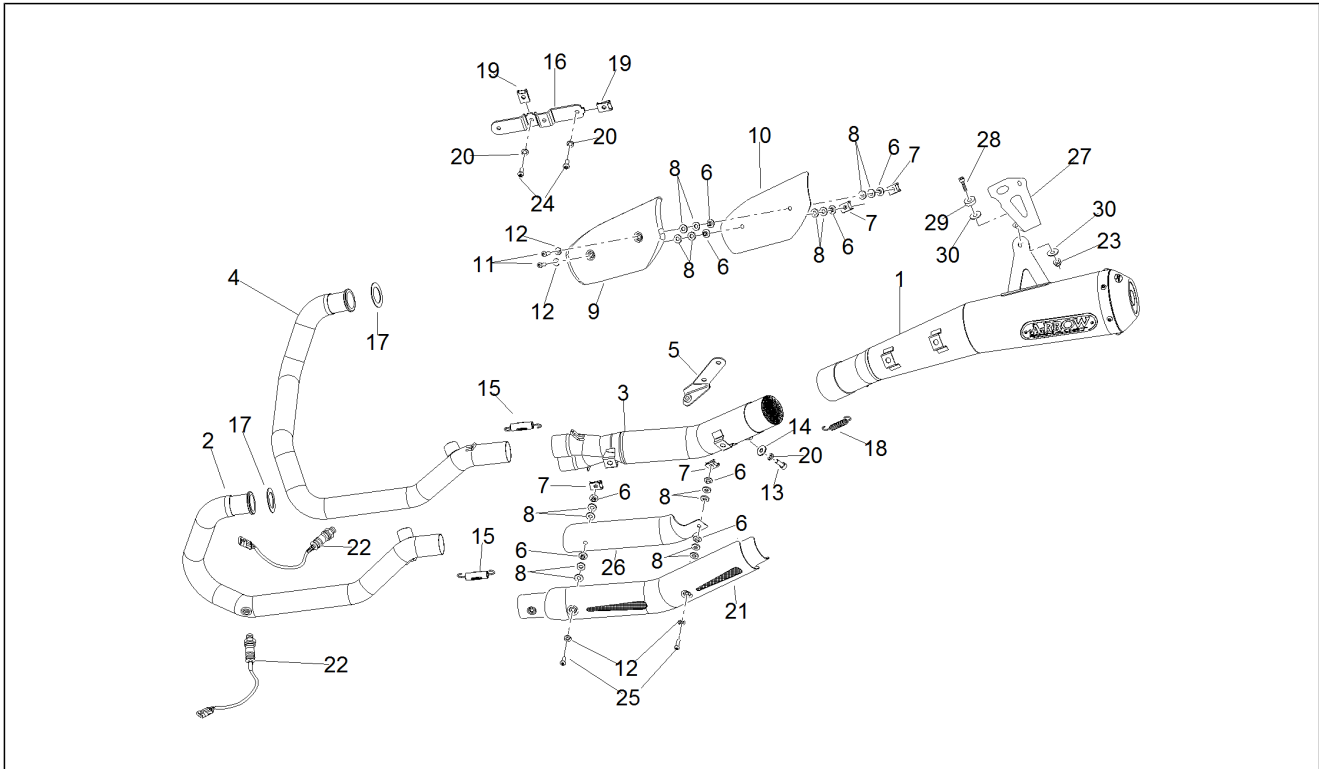
Pos.	Code	Description	Qty	Variants
1	B063752	Fuel pump	1	
2	2B001342	Fuel pipe	1	
3	GU05107430	Gasket	1	
4	AP8152273	Screw w/ flange M5x15	6	
5	887787	Fuel level sensor	1	

Group	FRAME
Code	33.22
Description	Air box
Service	1



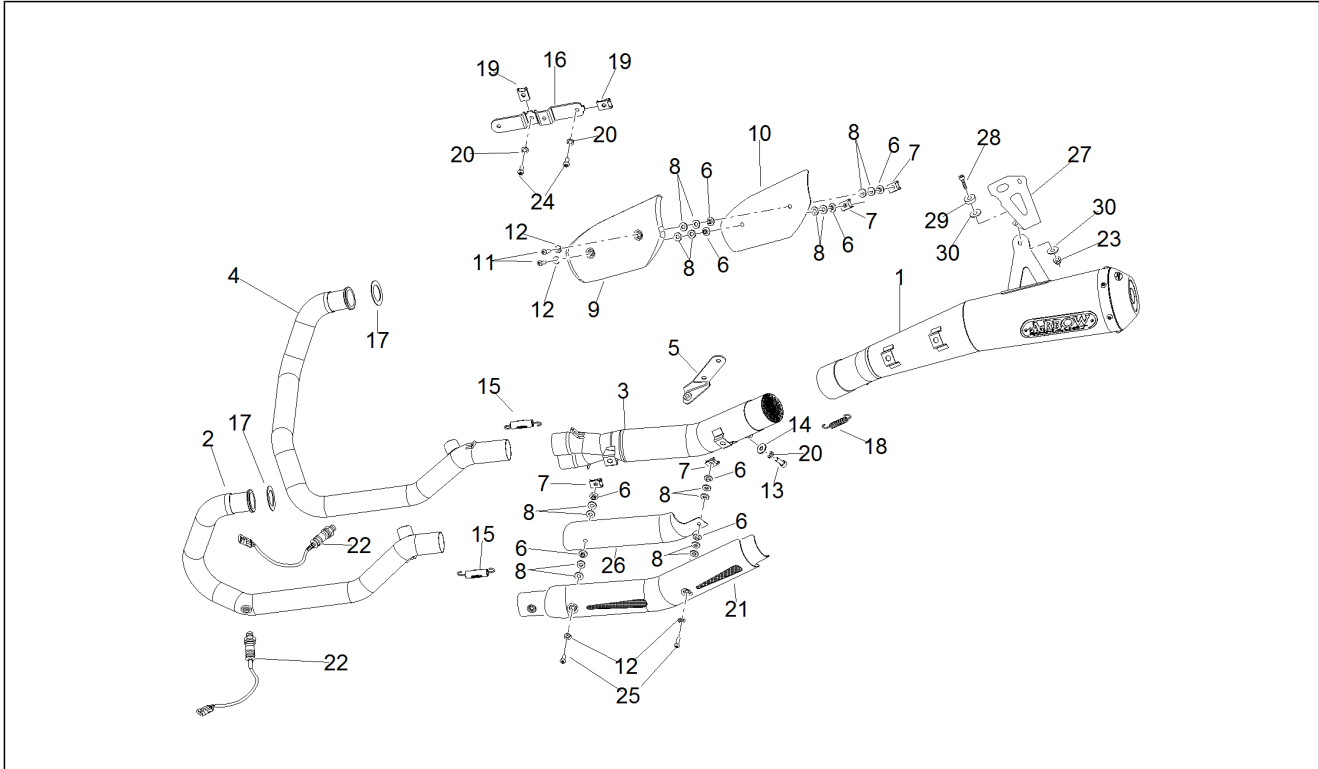
Pos.	Code	Description	Qty	Variants
1	8878421	Complete filter box	1	
2	887843	Air filter cover	1	
3	AP8201358	Hose clamp D 11,9	1	
4	AP8104924	Air filter	1	
5	AP8104525	Filter blow-by	2	
6	883127	Support rubber part 5 mm	1	
7	AP8144553	Support rubber part	1	
8	AP8120876	Plug	2	
9	AP8120455	Rubber spacer	1	
10	AP8120615	Gasket D3	2	
11	887844	Filter box right shell	1	
12	887845	Filter box left shell	1	
13	887815	Intake hose	1	
14	254485	Spring plate M6	2	
15	AP8161054	Cap	2	
16	890760	Instrument support	1	
17	AP8144729	Stand end stop	1	
18	AP8152329	Phillips screw, SWP M5x20	9	
19	AP8150509	Self-tap screw 5x14	4	
20	AP8120772	Breather pipe	1	
21	GU91551010	Rubber 10X20X10	2	
22	CM258303	Hose clamp 63	1	
23	AP8102766	Hose clamp	3	
24	AP8152329	Phillips screw, SWP M5x20	2	
25	AP8221023	T bush	2	
26	GU31112965	Square	1	
27	AP8102520	Hose clamp	2	

Group	FRAME
Code	33.23
Description	Exhaust unit
Service	1



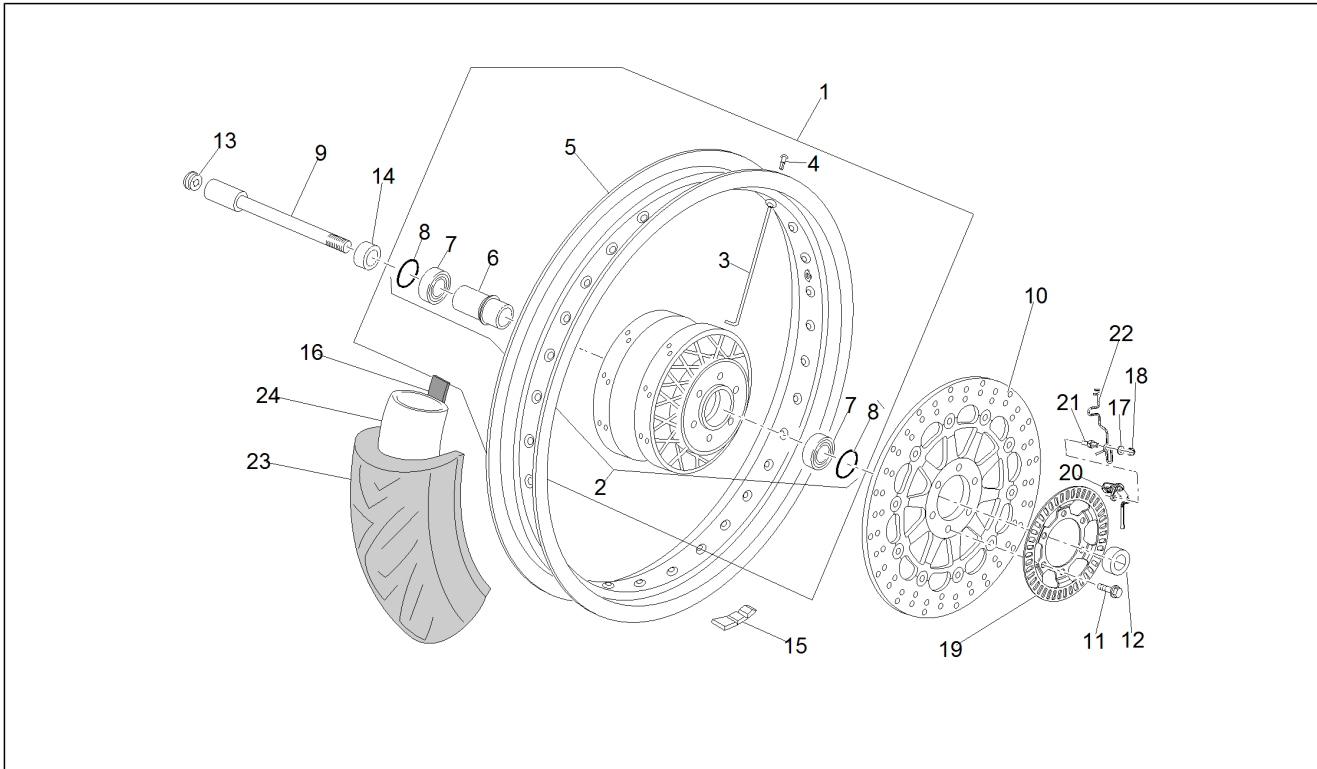
Pos.	Code	Description	Qty	Variants
1	2B003391	Silencer	1	
2	2B003393	LH exhaust manifold	1	
3	2B003394	Central manifold	1	
4	2B003392	Right exhaust manifold	1	
5	2S000430	Fixing bracket	1	
6	2S000436	T bush	8	
7	AP8102375	Clip m5	4	
8	2S000437	Rubber spacer	16	
9	2S000435	Silencer protection	1	
10	2S000434	Heat protection	1	
11	GU98370520	Hex socket screw	2	
12	658816	Spring washer	4	
13	AP8150521	Hex socket screw	1	
14	GU95005320	Washer 6,5x20x1,5	1	
15	2S000438	molla con gommino	2	
16	2S000431	Fixing bracket	1	
17	GU19025280	Gasket	2	
18	855997	Exhaust pipes spring	1	
19	254485	Spring plate M6	2	
20	658818	Spring washer	2	
21	2S000433	Heat protection	1	
22	896110	Lamda sensor l.660 mm	2	
23	AP8150032	Low self-locking nut M8	1	
24	GU98370619	Hex socket screw	2	
25	GU98370520	Hex socket screw	2	
26	2S000432	Protection	1	
27	2S000440	Silencer support	1	
28	GU98692420	Hex socket screw M8x20	1	

Group	FRAME
Code	33.23
Description	Exhaust unit
Service	1



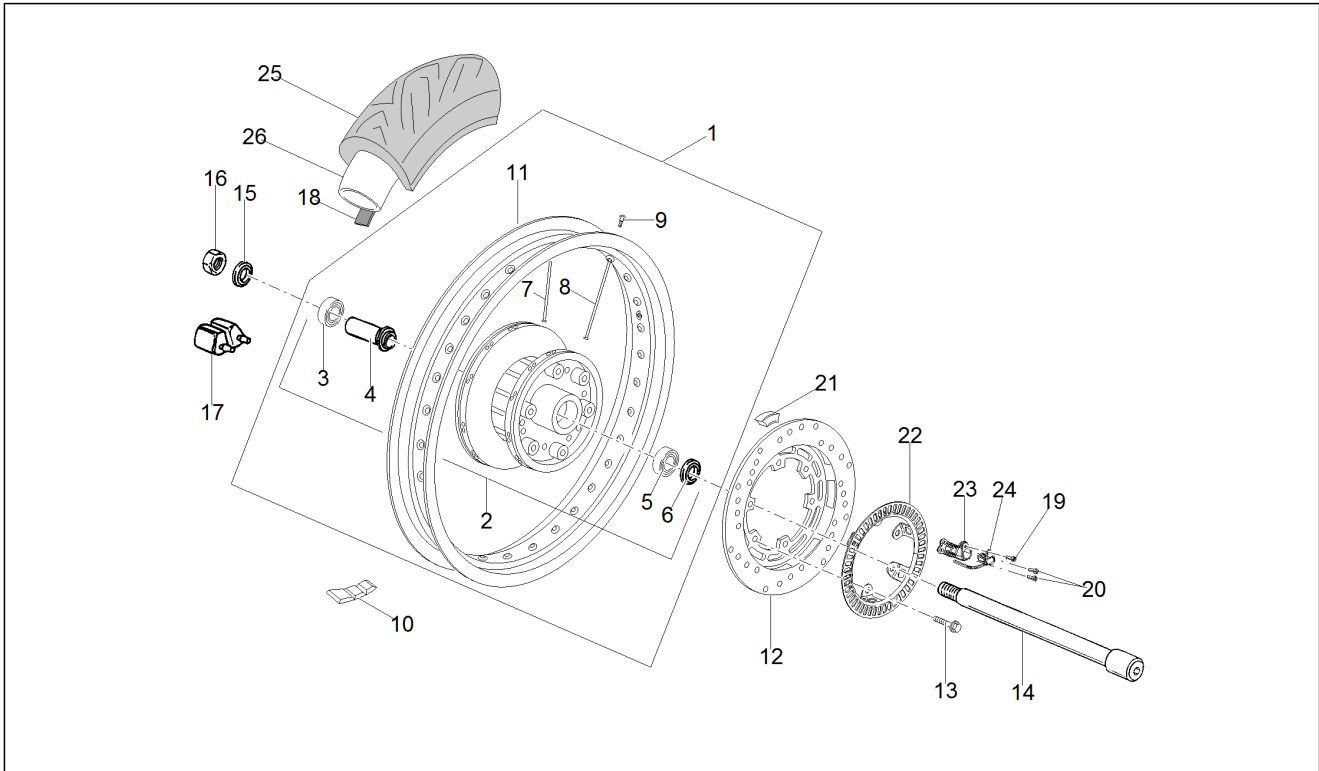
Pos.	Code	Description	Qty	Variants
29	2S000216	Spacer	1	
30	AP8163165	Stainless washer 16x8.4x1.6	2	

Group	FRAME
Code	33.24
Description	Front wheel I
Service	1



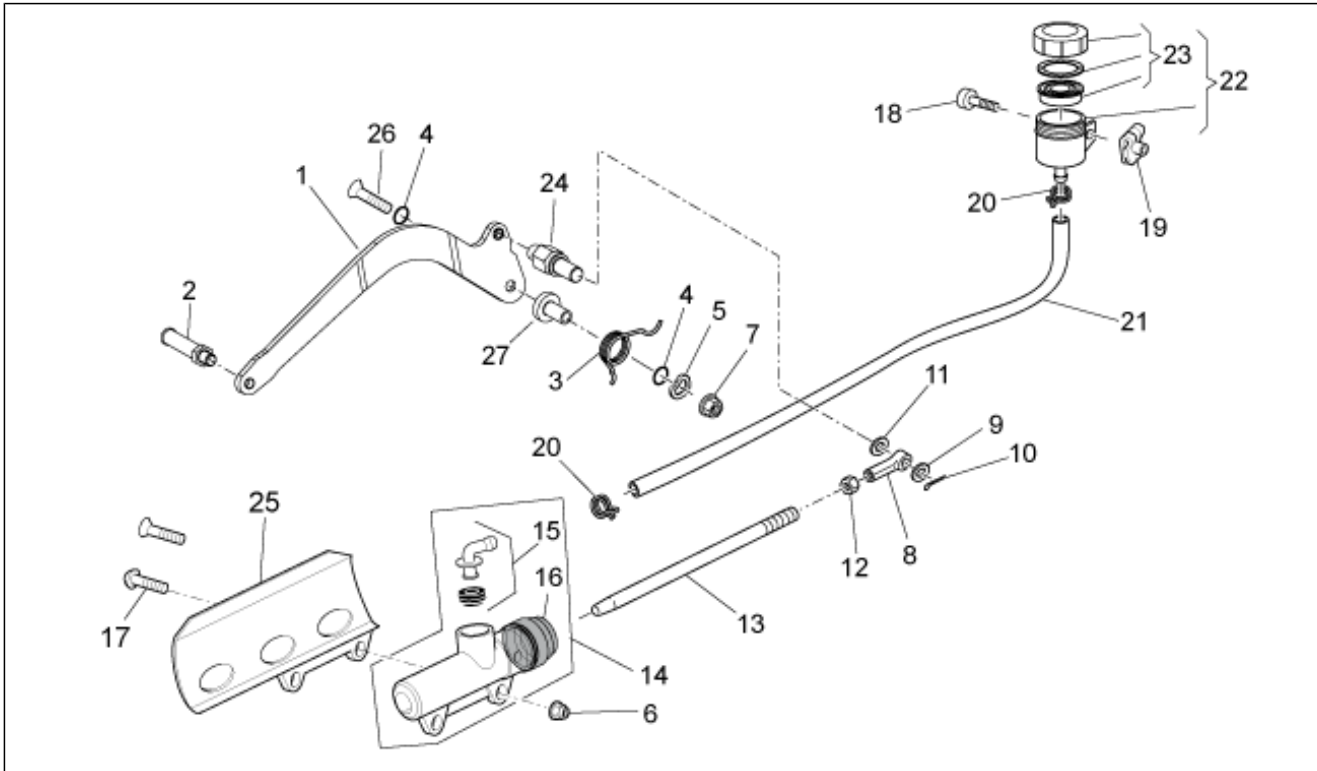
Pos.	Code	Description	Qty	Variants
1	B063702	Front wheel 2,5x18" Black	1	
2	GU32613160	Front hub	1	
3	B063144	Front wheel spoke	36	
4	GU03631250	Nipples	36	
5	B063077	Black front rim 2.5X18"	1	
6	GU31615283	Spacer	1	
7	GU92204221	Bearing	2	
8	GU90402642	Gasket ring	1	
9	GU31614183	Front wheel spindle	1	
10	883688	Front brake disc 320	1	
11	887762	Flanged TE screw M8x22	6	
12	GU31616384	LH spacer	1	
13	GU93180111	Cover 15 mm	1	
14	GU32615660	RH spacer	1	
15	GU14616150	Counterweight	1	
16	GU03612040	Tyre flap	1	
17	AP8150178	Washer 6,4x12,5*	1	
18	GU92630207	Nut	1	
19	887875	Phonic wheel	1	
20	859792	Sensor ABS	1	
21	2B001708	Spacer	1	
22	2B001561	Fairlead	1	
23	2B003032	Front tyre 100/90-18"	1	
24	GU31610160	Inner tube MB 18	1	

Group	FRAME
Code	33.25
Description	Rear wheel I
Service	1



Pos.	Code	Description	Qty	Variants
1	B063704	Rear wheel(complete) 3,5x17" Black	1	
2	GU32692260	Hub	1	
3	GU92204218	Bearing	1	
4	GU27633910	Spacer	1	
5	GU92204217	Bearing	1	
6	GU90402538	Gasket ring 25x40x7	1	
7	883350	Short spoke	18	
8	883349	Long spoke mm 158	18	
9	GU03631250	Nipples	36	
10	GU14616150	Counterweight	1	
11	B063078	Rear wheel 3,5"x17" Black	1	
12	887448	Brake disc	1	
13	894505	Screw w/ flange M8x18	6	
14	GU32633360	Rear wheel spindle	1	
15	GU31634481	Washer	1	
16	GU92606316	Nut M16x1,5	1	
17	GU32632510	Rubber coupling	6	
18	GU28612033	Tyre flap	1	
19	GU98612216	Hex socket screw	1	
20	GU98682312	Hex socket screw M6x12	2	
21	GU32636160	Support rubber part	1	
22	2B000225	Phonic wheel	1	
23	2B000377	Sensor support ABS	1	
24	859792	Sensor ABS	1	
25	2B003033	Rear tyre 130/80-17	1	
26	GU30630430	Inner tube MD 17	1	

Group	FRAME
Code	33.26
Description	Rear master cylinder
Service	1



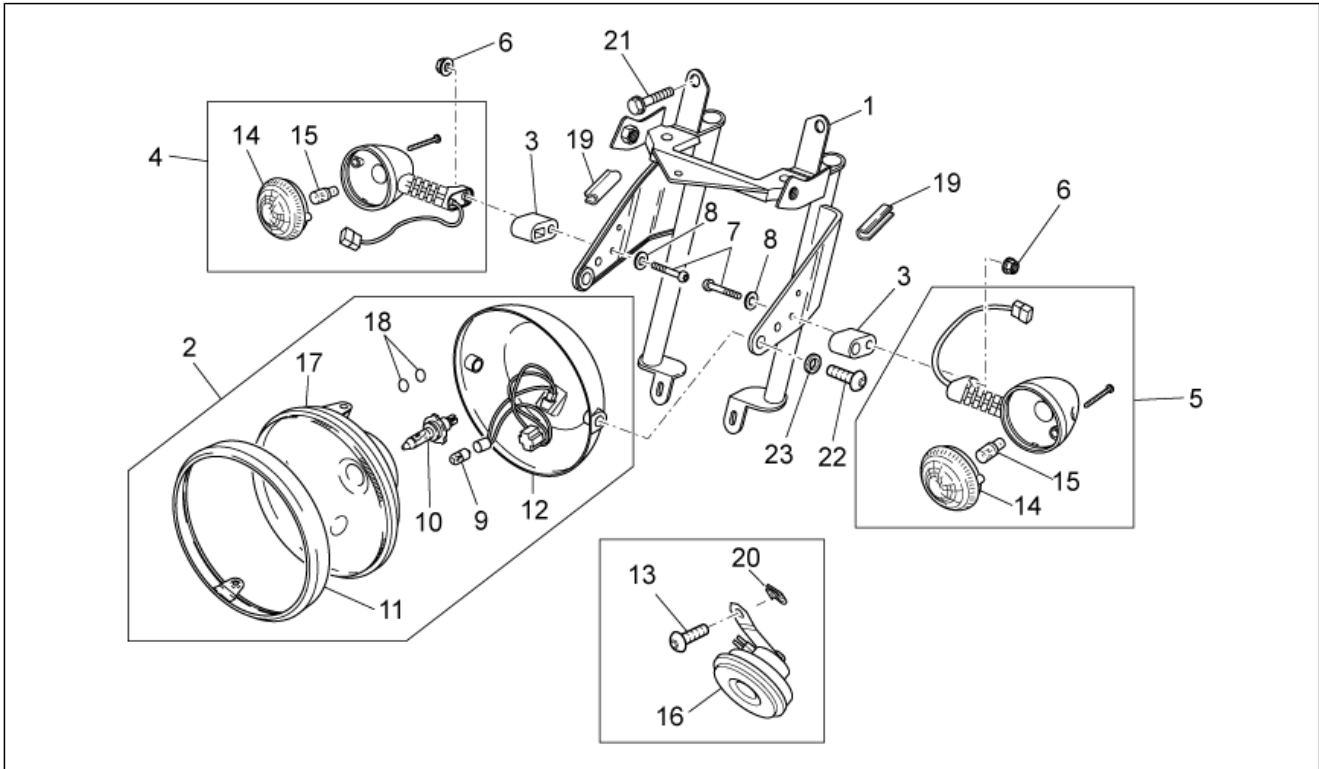
Pos.	Code	Description	Qty	Variants
1	887910	Brake lever	1	
2	2R000277	Rubber pedal	1	
3	978969	Spring	1	
4	AP8144007	O-ring 11,11x1,78	2	
5	GU95005310	Washer 8,4x18x2	1	
6	GU92630206	Nut M6x1	2	
7	GU92660021	Flanged nut M8	1	
8	GU18257551	Block	1	
9	GU95005308	Washer 8,4x14,57x1,6	1	
10	GU95500221	Split pin	1	
11	658837	Crinkle washer D15 F8,4 S1,5 - INOX	1	
12	GU92609007	Nut	1	
13	2B001597	Master cylinder rod	1	
14	2B000508	Rear master cylinder	1	
15	AP8213057	Rear brake pump union	1	
16	AP8113288	Rubber bellows	1	
17	GU98370625	Hex socket screw	2	
18	AP8152298	Screw w/ flange M5x16	1	
19	248419	Spring plate m5	1	
20	AP8101594	Hose clamp D10,1*	2	
21	GU00823950050	Oil pipe	1	
22	AP8113241	Brake oil tank complete	1	
23	AP8113553	Tank cap	1	
24	887911	Brake lever pin	1	
25	GU01665410	Brake m.cyl.protection, black	1	
26	B063443	Screw M8x50	1	
27	887952	Rear brake lever bush	1	

Group	FRAME
Code	33.27
Description	Rear brake caliper
Service	1



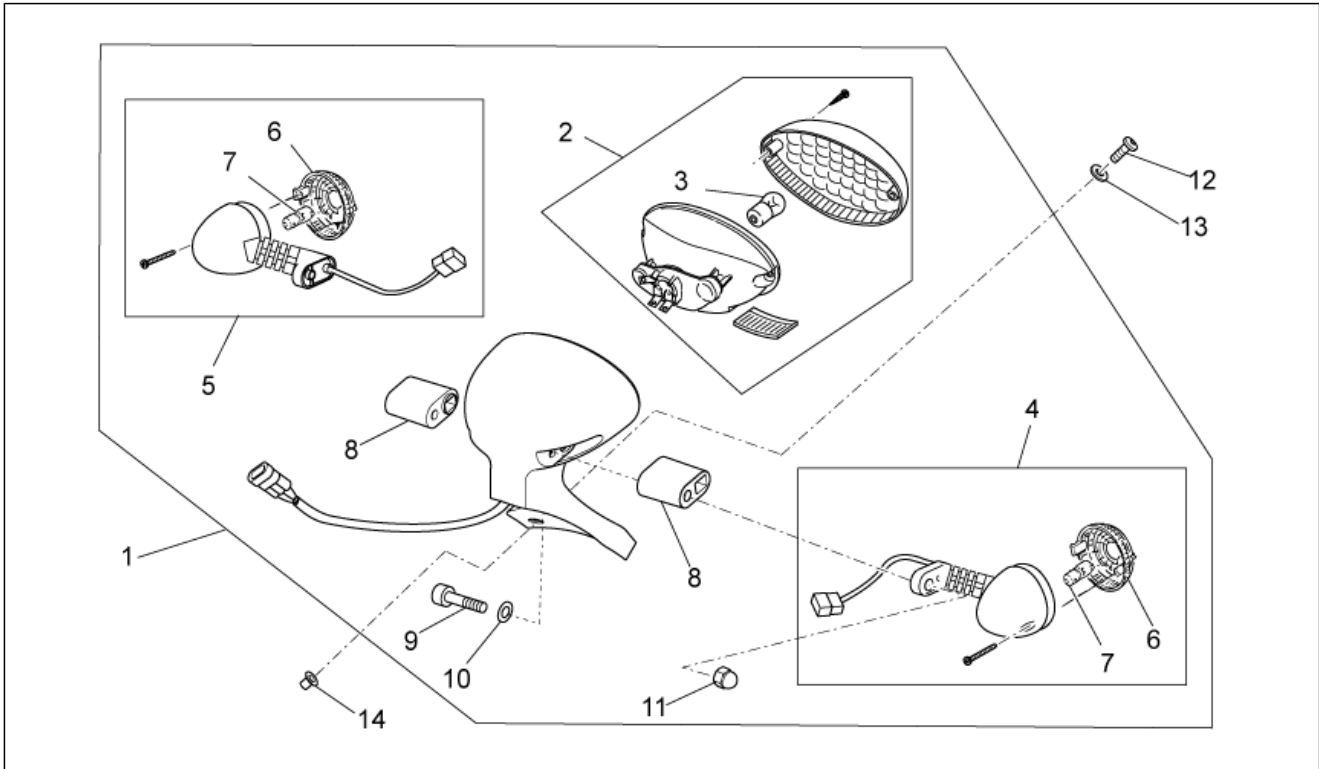
Pos.	Code	Description	Qty	Variants
1	2B000229	Brake caliper support plate	1	
2	GU31634281	Bushing	1	
3	GU31544181	Pin	1	
4	AP8152288	Screw w/ flange	1	
5	GU32634160	Spacer	4	
6	2B000525	Rear brake caliper	1	
7	2R000248	Brake pads torque	1	
8	GU31659281	Bleeder+cap	1	
9	GU31659181	Pins+spring kit	1	

Group	FRAME
Code	33.28
Description	Front lights
Service	1



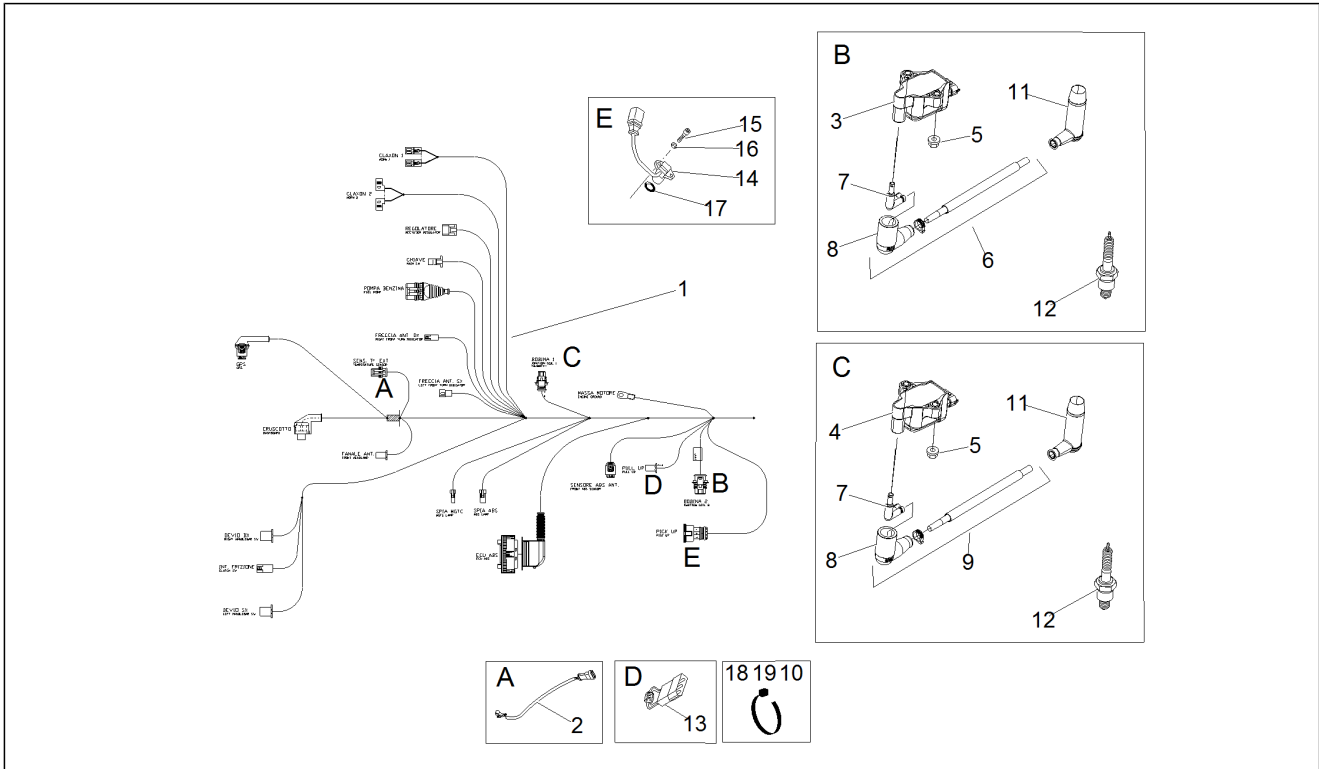
Pos.	Code	Description	Qty	Variants
1	GU32506360	Headlight support clamp	1	
2	978311	Headlight	1	
3	GU32753410	Spacer	2	
4	B063800	RH front/LH rear turn indic.	1	
5	B063801	LH front/RH rear turn indic.	1	
6	GU92787006	Cap nut M6x1	2	
7	GU98370655	Hex socket screw	2	
8	GU95021206	Washer	2	
9	GU93450105	Lamp	1	
10	GU93450232	Lamp 12V-55/60W	1	
11	GU31740383	Chromed ring nut	1	
12	981149	Cap, black	1	
13	AP8150377	screw	2	
14	B063735	Turn indicator lens	2	
15	GU93450126	Lamp, orange	2	
16	890979	Horn	1	
17	GU06740400	Light assembly	1	
18	883417	O-ring	2	
19	GU00823931055	Gasket	1	
20	254485	Spring plate M6	2	
21	GU98880540	screw M10x40	2	
22	GU98692420	Hex socket screw M8x20	2	
23	GU95005308	Washer 8,4x14,57x1,6	2	

Group	FRAME
Code	33.29
Description	Rear lights
Service	1



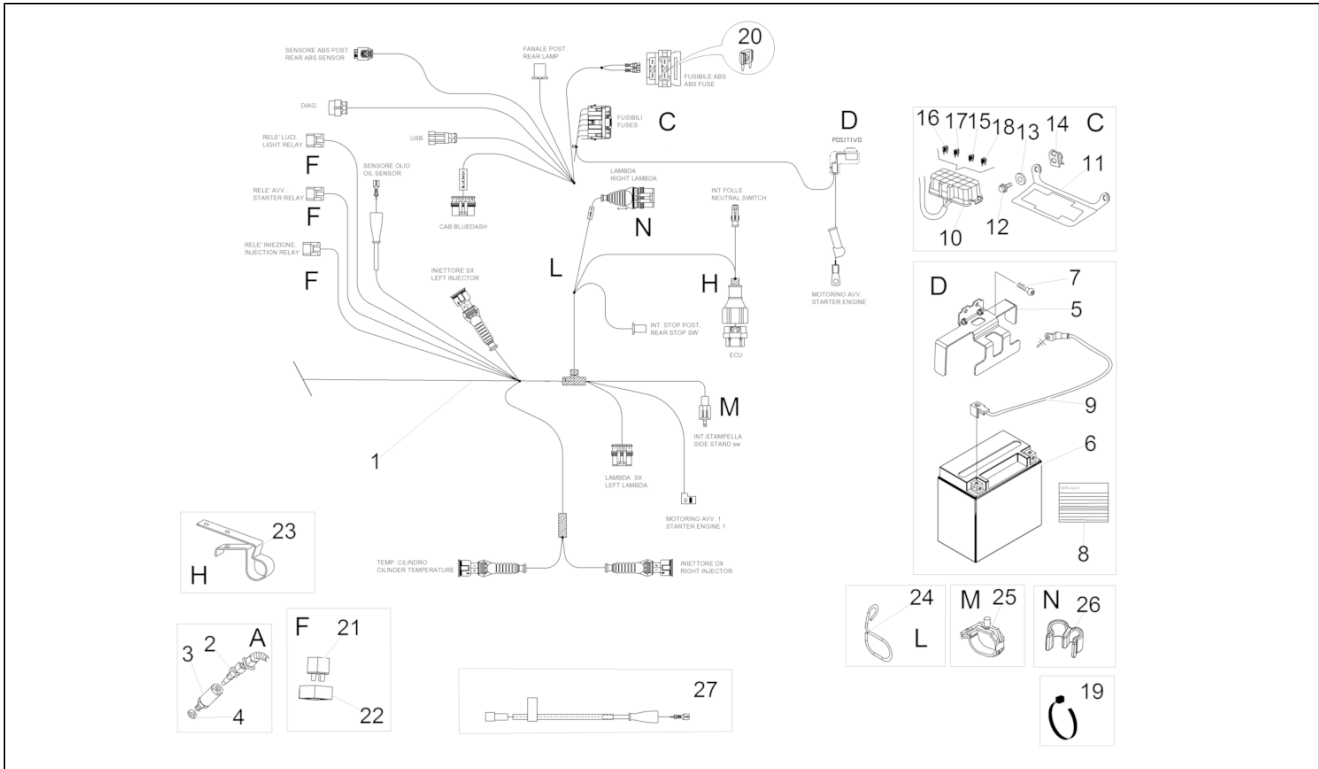
Pos.	Code	Description	Qty	Variants
1	2B001748	Taillight	1	
2	GU03740930	Taillight	1	
3	GU93450224	Lamp	1	
4	B063800	RH front/LH rear turn indic.	1	
5	B063801	LH front/RH rear turn indic.	1	
6	B063735	Turn indicator lens	2	
7	GU93450126	Lamp, orange	2	
8	GU32753410	Spacer	2	
9	GU98370655	Hex socket screw	2	
10	GU95021206	Washer	2	
11	GU92787006	Cap nut M6x1	2	
12	GU98350215	Hex socket screw	3	
13	GU30577800	Nylon washer 5,5X12X1	3	
14	GU93231605	Antivibration bush	3	

Group	FRAME
Code	33.30
Description	Electrical system I
Service	1



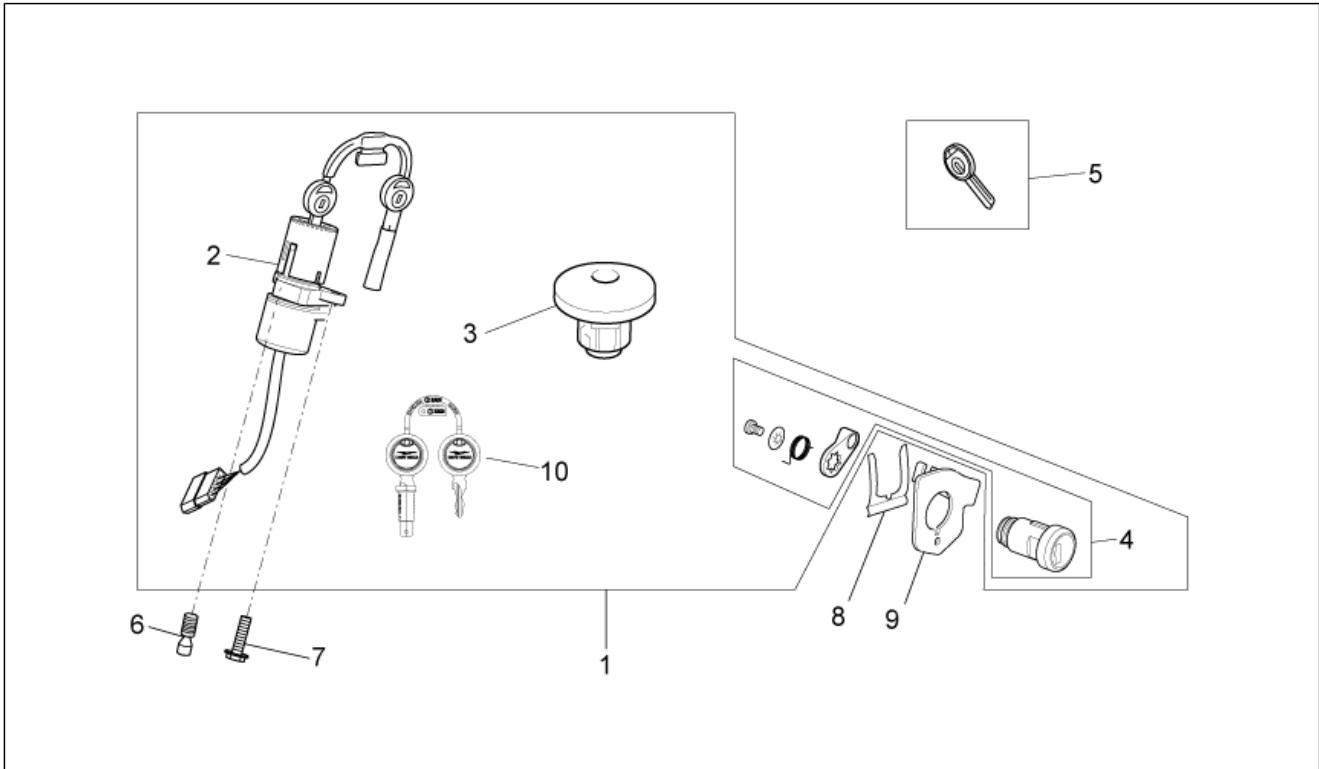
Pos.	Code	Description	Qty	Variants
1	2D000108	Main wiring harness	1	
2	AP8124936	Air temp. Sensor	1	
3	642034	HT coil DX	1	
4	641901	HT coil	1	
5	AP8152299	Self-locking nut M6	4	
6	2D000207	HT wire L=470	1	
7	641725	HV terminal	2	
8	641040	Insulating cap	2	
9	2D000206	HT wire L=580	1	
10	GU14609650	Hose clamp 3,6x20,6	31	
11	2D000247	Sparkplug cap	1	
12	887481	Spark plug NGK CPR8EB-9	2	
13	887948	Diode	1	
14	832029	Encoder sensor	1	
15	GU98682212	Hex socket screw M5x12	2	
16	GU95008205	Washer 5,3x10x0,8	2	
17	GU90706141	O-ring	1	
18	AP8120416	Black hose 178x4	1	
19	GU49609601	Hose clamp 2,4x92	1	

Group	FRAME
Code	33.31
Description	Electrical system II
Service	1



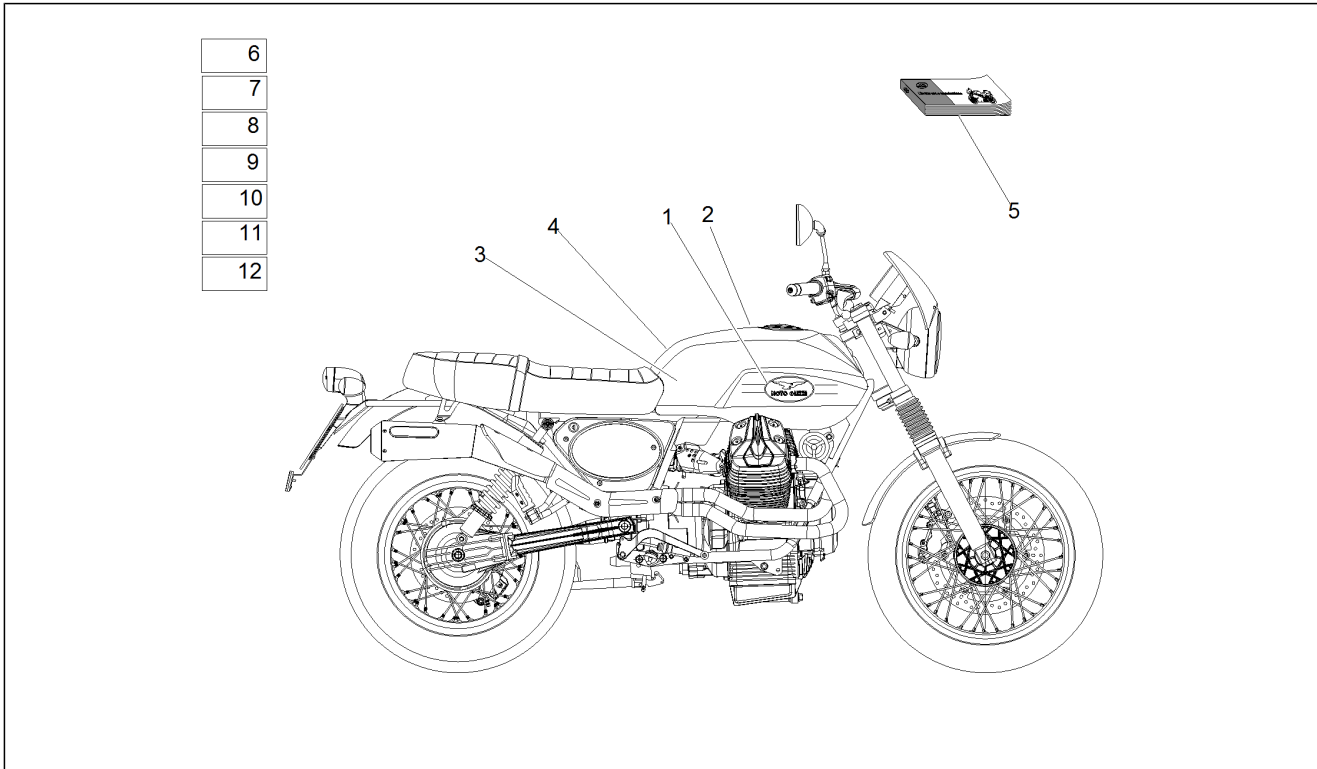
Pos.	Code	Description	Qty	Variants
1	2D000108	Main wiring harness	1	
2	GU29729461	Oil temperature sensor	1	
3	GU03163330	Sensor support	1	
4	GU95008210	Washer 10,2X18X2	4	
5	B063233	Battery bracket	1	
6	638733	Battery Yuasa 12V-12Ah (150x85x145)	1	
7	AP8152282	Screw w/ flange M6x35	2	
8	GU32517710	Decal "Battery service"	1	
9	GU32747910	Ground-battery lead	1	
10	584211	Fuse holder box	1	
11	883161	Fuse block support	1	
12	GU98682212	Hex socket screw M5x12	2	
13	GU95100059	Washer 5,25x14x1,5	2	
14	AP8102375	Clip m5	2	
15	CM225705	Fuse 5A	2	
16	CM225710	Fuse 10A	1	
17	CM225715	Fuse 15A	2	
18	CM225730	Fuse 30A	1	
19	AP8120416	Black hose 178x4	1	
19	GU14609650	Hose clamp 3,6x20,6	21	
19	GU49609601	Hose clamp 2,4x92	1	
20	CM225720	Fuse 20A	1	
21	AP8224462	Relay 12V-30A	3	
22	AP8220283	Rubber spacer *	3	
23	B043850	Hose clamp	1	
24	AP8181140	Fairlead	1	
25	CM013202	Pipes/cables retainer spring	1	
26	894704	Fairlead	1	

Group	FRAME
Code	33.32
Description	Lock hardware kit
Service	1



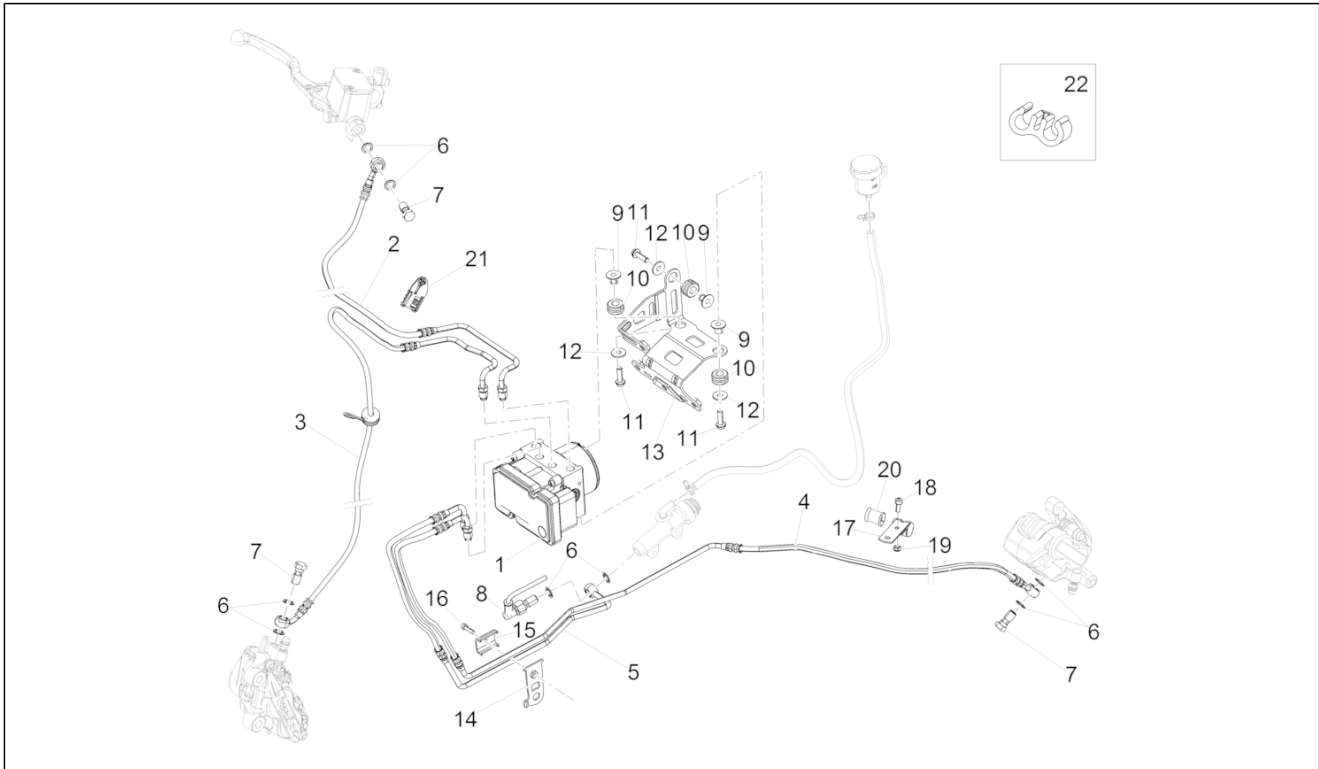
Pos.	Code	Description	Qty	Variants
1	883477	Lock kit	1	
2	GU32782510	Ignition lock with key	1	
3	883476	Tank cap	1	
4	977527	Locking complete with keys	1	
5	GU32735510	Non indent.key blank-shell go	1	
6	AP8150349	Special screw M8x15	1	
7	GU98682416	Hex socket screw M8x16	1	
8	AP8121420	Fork spring	1	
9	978415	Cable fixing plate	1	
10	2D000006	Locking cylinder with key for fuel cap	1	

Group	FRAME
Code	33.33
Description	Decal and plate set
Service	1



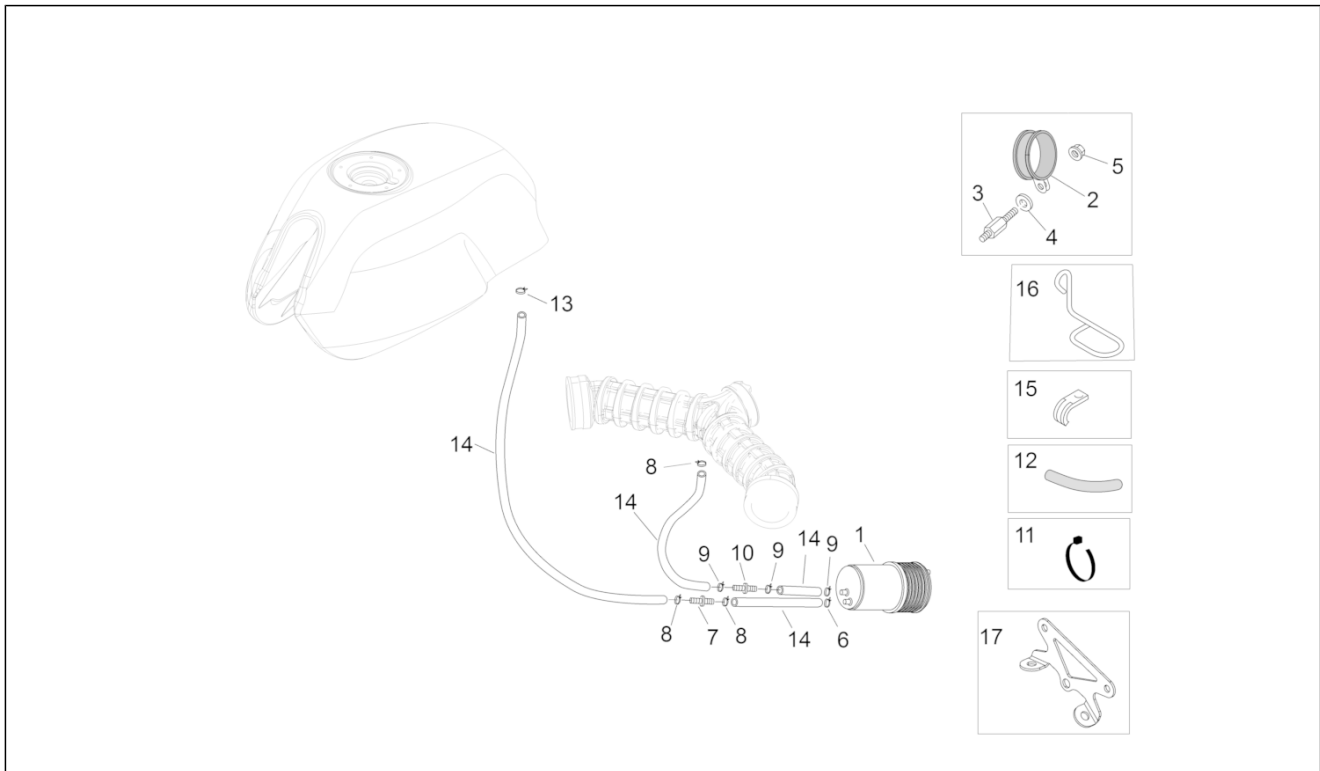
Pos.	Code	Description	Qty	Variants
1	2H001363	Tank right band decal	1	
2	2H001364	Tank left band decal	1	
3	886658	Right tank protection	1	
4	886659	Left tank protection	1	
5	2Q000158	Op's handbook I-D-F-E-UK-NL ENUS-FR-ES-IT	1	
6	2G000149	***NOISE EMISSION STICKER - USA MY16	1	
7	2G000074	Shed scheme decal	1	
8	2G000151	***EMISSIONS STICKER - USA MY16	1	
9	B045974	Fuel decal E15	1	
10	AP8157100	Decal Shock Adsorber	1	
11	AP8257609	Mirror decal	1	
12	2G000150	***TIRES PRESSURE STICKER - USA MY16	1	

Group	FRAME
Code	33.36
Description	ABS Brake system
Service	1



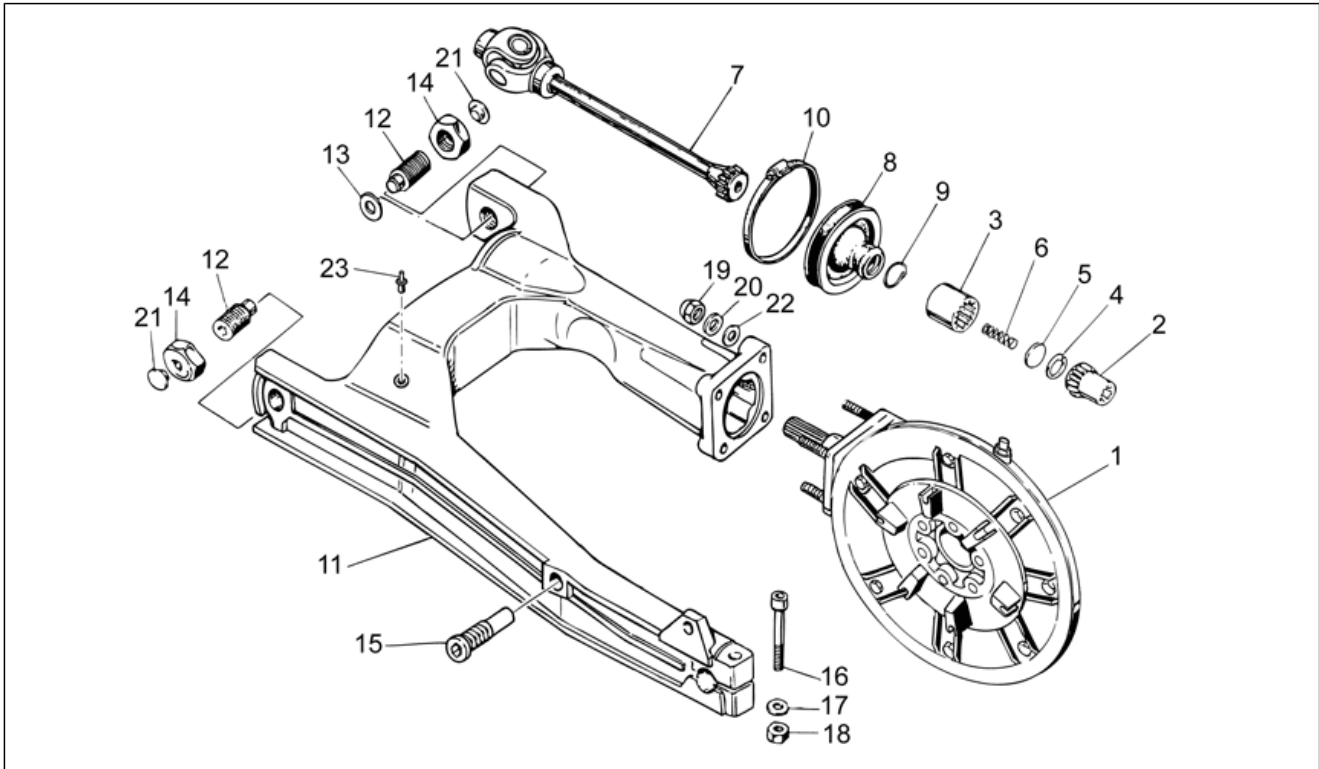
Pos.	Code	Description	Qty	Variants
1	2D000102	ABS control unit	1	
2	2B001557	ABS control unit front pump pipe	1	
3	2B001558	ABS control unit front clamp pipe	1	
4	2B001556	ABS control unit rear clamp pipe	1	
5	2B001555	ABS control unit rear pump pipe	1	
6	AP8113004	Washer 10x14x1,6*	8	
7	AP8113003	Oil pipe screw	4	
8	854973	Stop switch	1	
9	AP8221023	T bush	3	
10	AP8120030	Rubber spacer	3	
11	AP8152279	Screw w/ flange M6x20	3	
12	AP8150015	Washer 6,6x18x1,6*	3	
13	2B001016	ABS control unit support	1	
14	2B001564	Brake hose holder plate	1	
15	2B001614	Pipe fixing plate	1	
16	959559	Hex socket screw M4x16	1	
17	GU03658330	Hose clamp	1	
18	895709	Hex socket screw M5x12	1	
19	AP8150451	Low self-locking nut	1	
20	GU03658201	Ring	1	
21	2B001570	Brake hose holder plate	1	
22	2B000276	Staple	2	

Group	FRAME
Code	33.48
Description	Fuel vapour recover system
Service	1



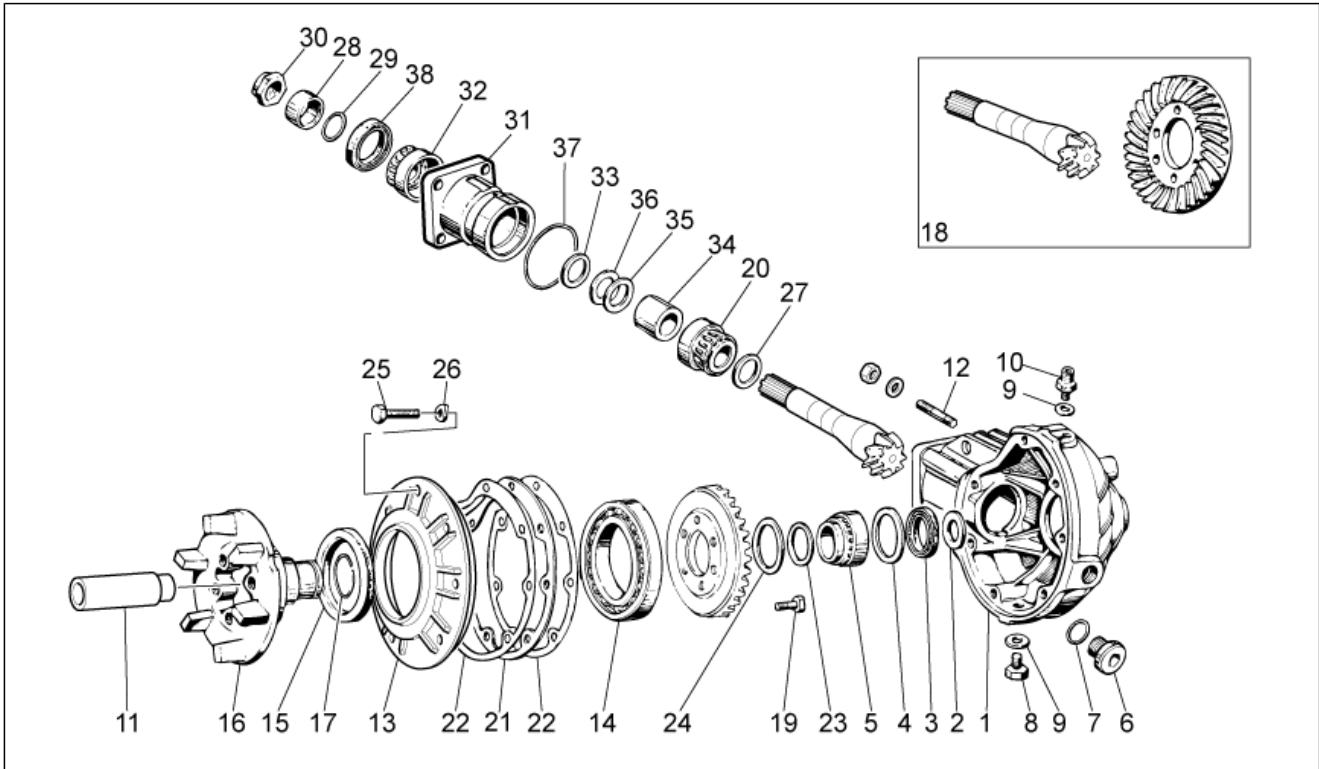
Pos.	Code	Description	Qty	Variants
1	AP8102678	Carbon filter	1	
2	AP8102688	Hose clamp d.76	1	
3	GU32439260	Canister support USA	1	
4	GU95005311	Washer	1	
5	AP8152299	Self-locking nut M6	1	
6	AP8102159	Hose clamp	1	
7	860138	Valve	1	
8	GU28157950	Hose clip 12,5x8	4	
9	AP8120446	Hose clip, green D11x6,6x1	2	
10	AP8121267	Choke hold	1	
11	AP8120416	Black hose 178x4	1	
12	GU00823923140	Thermal sheath	4	
13	AP8201358	Hose clamp D 11,9	1	
14	856063	pipe SAE 30 d.12,7x6,35	3	
15	GU93301313	U-bolt	1	
16	AP8221114	Cable-guide	2	
17	2B002261	Canister support	1	

Group	ENGINE
Code	34.09
Description	Transmission complete I
Service	1



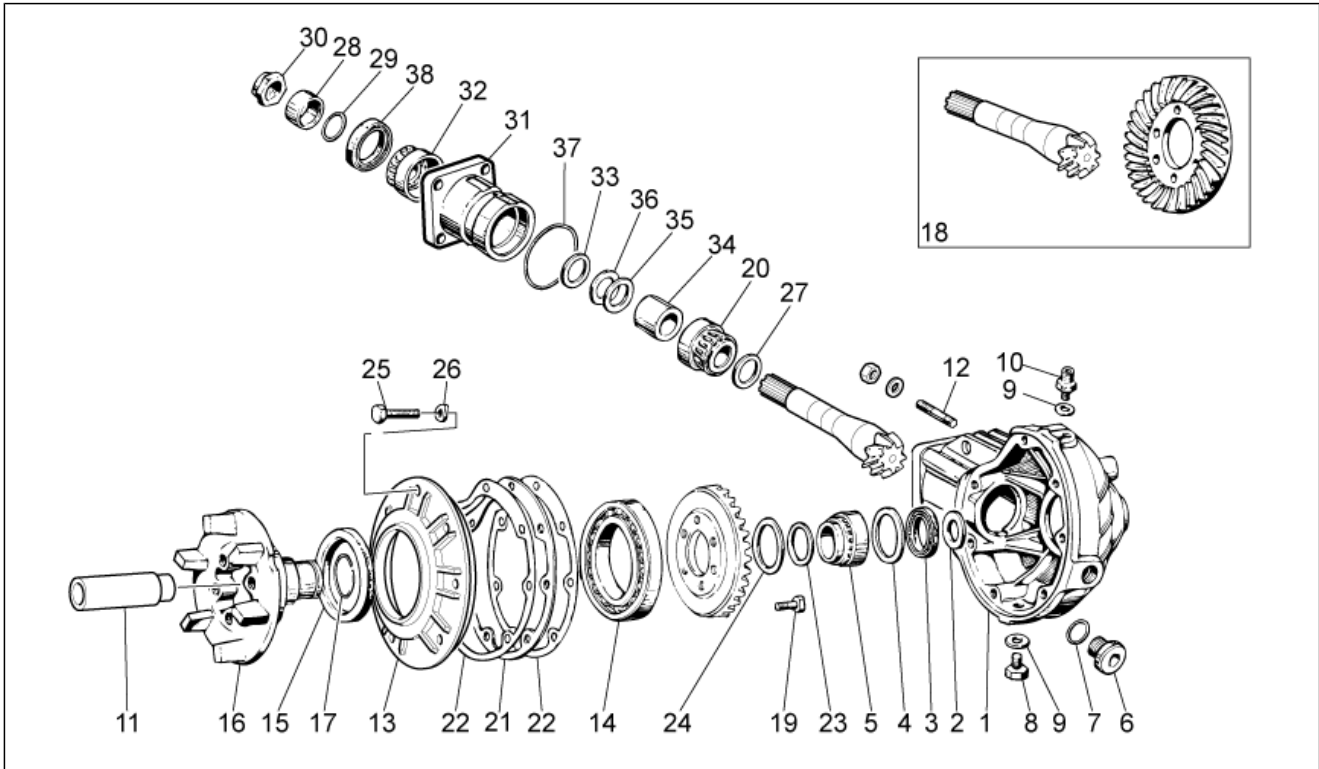
Pos.	Code	Description	Qty	Variants
1	976941	Transmission box assy., black	1	
2	GU31327783	Hose	1	
3	GU19328801	Hose	1	
4	GU90272023	Circlip	1	
5	GU19327601	Disc	1	
6	GU94321099	Spring	1	
7	GU23328081	Coupling	1	
8	GU23548080	Protection collar	1	
9	GU23548180	Spring	1	
10	AP8120246	Hose clamp D=60-80	1	
11	2B001959	Swing arm, black	1	
12	GU19547000	Pin	2	
13	GU35214300	Spacer	1	
14	GU31547882	Nut	2	
15	GU31544181	Pin	1	
16	GU98680545	screw M10x45	1	
17	GU95008210	Washer 10,2X18X2	1	
18	GU92606210	Nut M10x1,5	1	
19	860651	Cap nut M8x1,25	4	
20	GU14615901	Washer 8,4X13X0,8	4	
21	GU93180105	Cover	2	
22	GU95005308	Washer 8,4x14,57x1,6	4	
23	GU03922280	Cover 5x9	1	

Group	ENGINE
Code	34.10
Description	Transmission complete II
Service	1



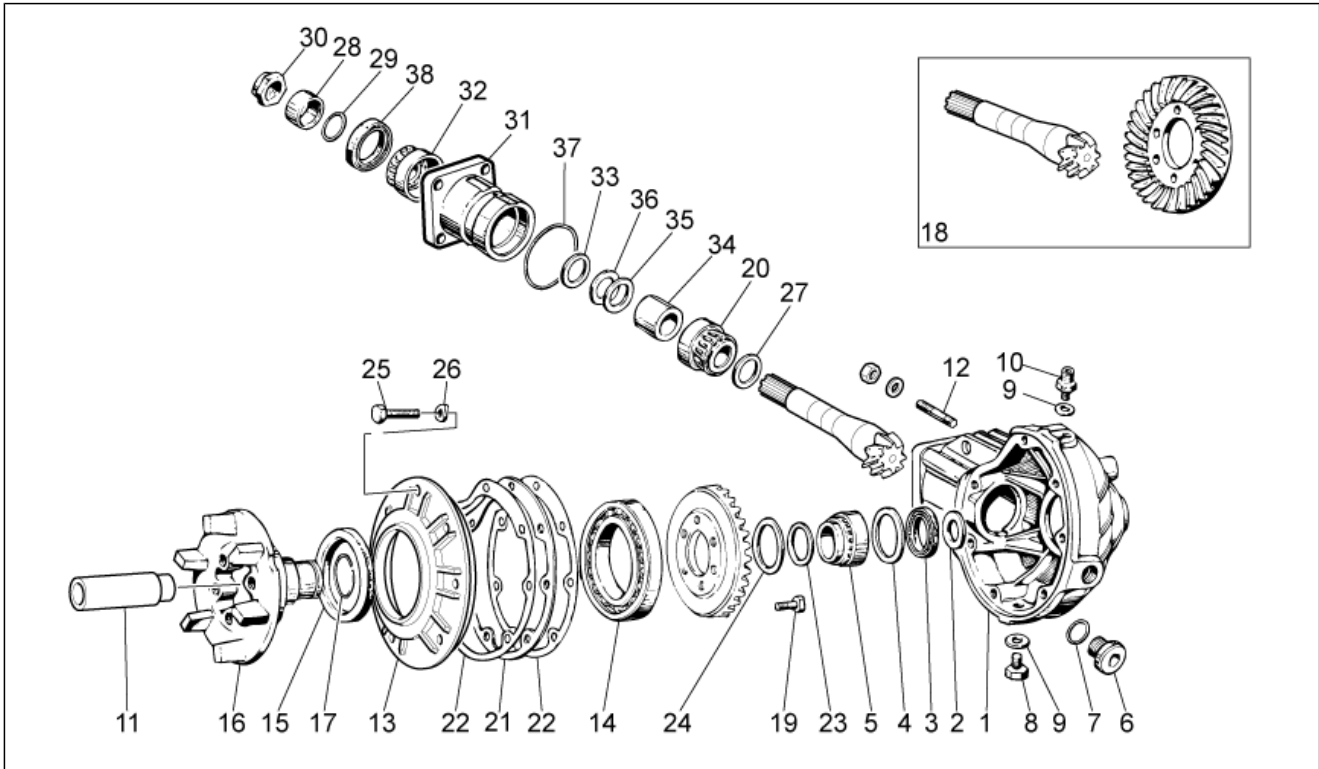
Pos.	Code	Description	Qty	Variants
1	976608	Transmission housingblack	1	
2	GU19351900	Clearance washer	1	
3	GU90403549	Gasket ring 35x47x7	1	
4	GU19351100	Clearance washer	1	
5	GU92252235	Roller bearing 35x50x17	1	
6	GU12022600	Oil plug	1	
7	GU90706203	O-ring 20,24x2,62	1	
8	GU31003766	Oil unload plug M10x1	1	
9	GU01528930	Gasket 10x18x1,5	2	
10	GU19206501	Breather plug	1	
11	GU32633560	Spacer	1	
12	GU96508055	Stud bolt	4	
13	GU32350410	Cover	1	
14	GU92201070	Ball bearing 70x110x13	1	
15	GU90407591	Gasket ring 75x95x10	1	
16	GU32351410	Pin	1	
17	GU90353030	Stop ring	1	
18	GU32354610	Bevel gear 8/33	1	
19	GU03067730	screw M8x25	6	
20	GU92249227	Tap.roller bearing 25x5	1	
21	GU19355400	Spacer 0,8 mm	1	
21	GU19355402	Spacer 0,9 mm	1	
21	GU19355404	Spacer 1 mm	1	
21	GU19355406	Spacer 1,1 mm	1	
21	GU19355408	Spacer 1,2 mm	1	
21	GU19355410	Spacer 1,3 mm	1	
21	GU19355411	Spacer 1,4 mm	1	
21	GU19355412	Spacer 1,5 mm	1	

Group	ENGINE
Code	34.10
Description	Transmission complete II
Service	1



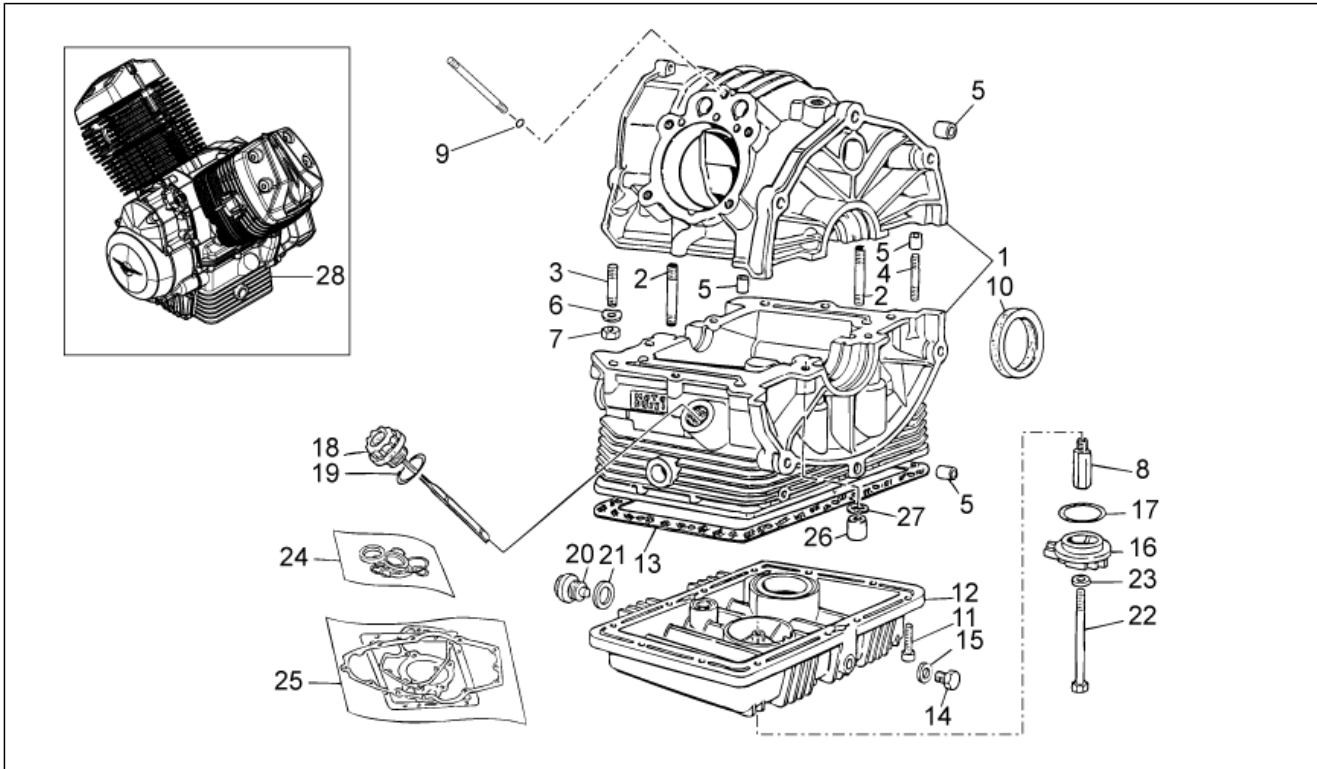
Pos.	Code	Description	Qty	Variants
21	GU19355413	Spacer 1,6 mm	1	
22	2A000382	Gasket	2	
22	GU19350700	Gasket	2	
23	GU19352300	Thrust washer	1	
24	GU19353500	Thrust washer	1	
25	GU19357660	screw	7	
26	GU61270300	Spring washer 8x15x0,3	7	
27	2B002318	Spacer 0,2 mm	1	
27	2B002319	Spacer 0,3 mm	1	
27	2B002320	Spacer 0,4 mm	1	
27	2B002424	Spacer 0,5 mm	1	
27	2B002425	Spacer 0,6 mm	1	
27	2B002426	Spacer 0,7 mm	1	
27	GU19355320	Spacer 1 mm	1	
27	GU19355321	Spacer 1,1 mm	1	
27	GU19355322	Spacer 1,2 mm	1	
27	GU19355323	Spacer 1,3 mm	1	
27	GU19355324	Spacer 1,4 mm	1	
27	GU19355325	Spacer 1,5 mm	1	
27	GU19355326	Spacer 1,6 mm	1	
27	GU19355327	Spacer 1,7 mm	1	
27	GU19355328	Spacer 1,8 mm	1	
27	GU19355329	Spacer 1,9 mm	1	
28	GU19356801	Spacer	1	
29	GU90706188	Gasket ring 18,77X1,78	1	
30	GU19356700	Nut	1	
31	GU20352421	Flange	1	
32	GU92249220	Roller bearing 20x47x14	1	

Group	ENGINE
Code	34.10
Description	Transmission complete II
Service	1



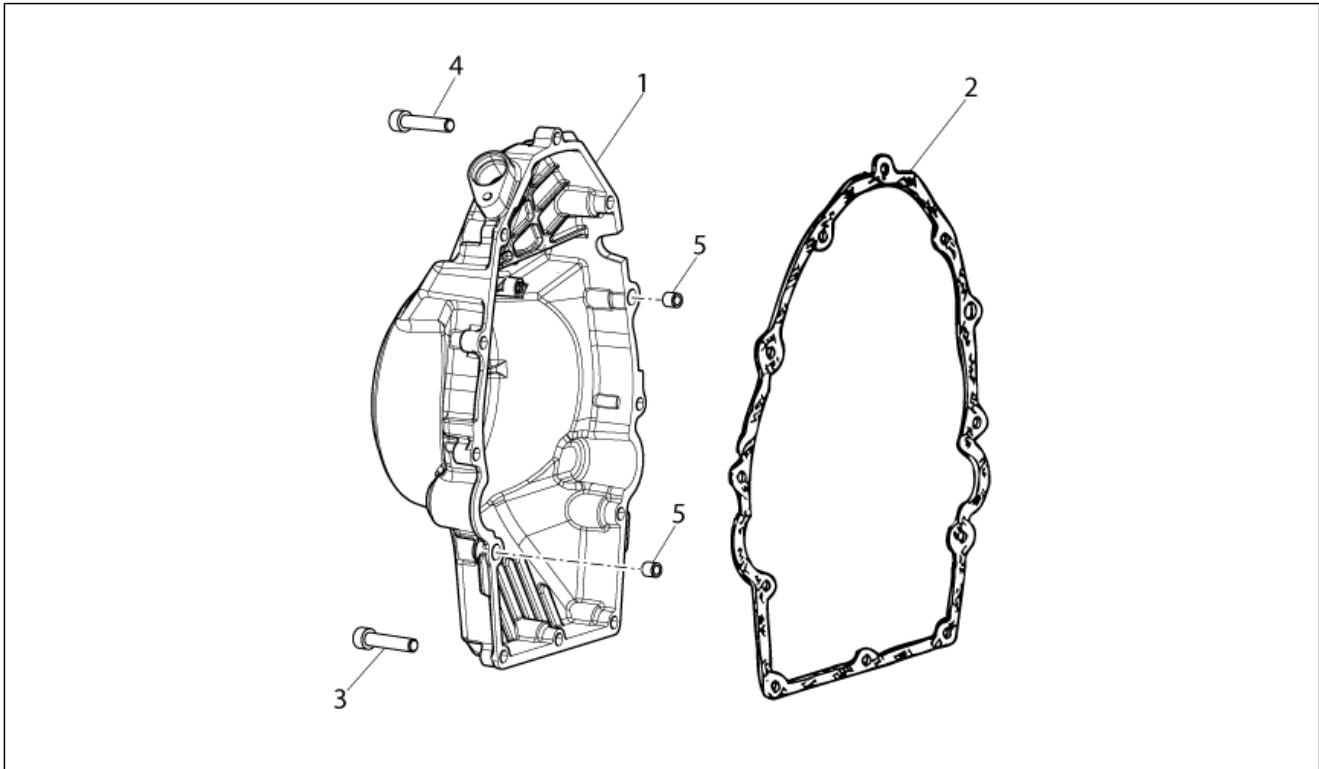
Pos.	Code	Description	Qty	Variants
33	GU19355300	Spacer 1 mm	1	
33	GU19355301	Spacer 1,1 mm	1	
33	GU19355302	Spacer 1,2 mm	1	
33	GU19355303	Spacer 1,3 mm	1	
33	GU19355304	Spacer 1,4 mm	1	
33	GU19355305	Spacer 1,5 mm	1	
33	GU19355306	Spacer 1,6 mm	1	
33	GU19355307	Spacer 1,7 mm	1	
33	GU19355308	Spacer 1,8 mm	1	
33	GU19355309	Spacer 1,9 mm	1	
34	GU20355121	Spacer	1	
35	GU19355200	Shim 0,1 mm	1	
36	GU19355202	Shim 0,15 mm	1	
	GU90706584	Gasket 58,42x2,62	1	
38	GU90403251	Gasket ring 32x47x10	1	

Group	ENGINE
Code	34.34
Description	Crank-case
Service	1



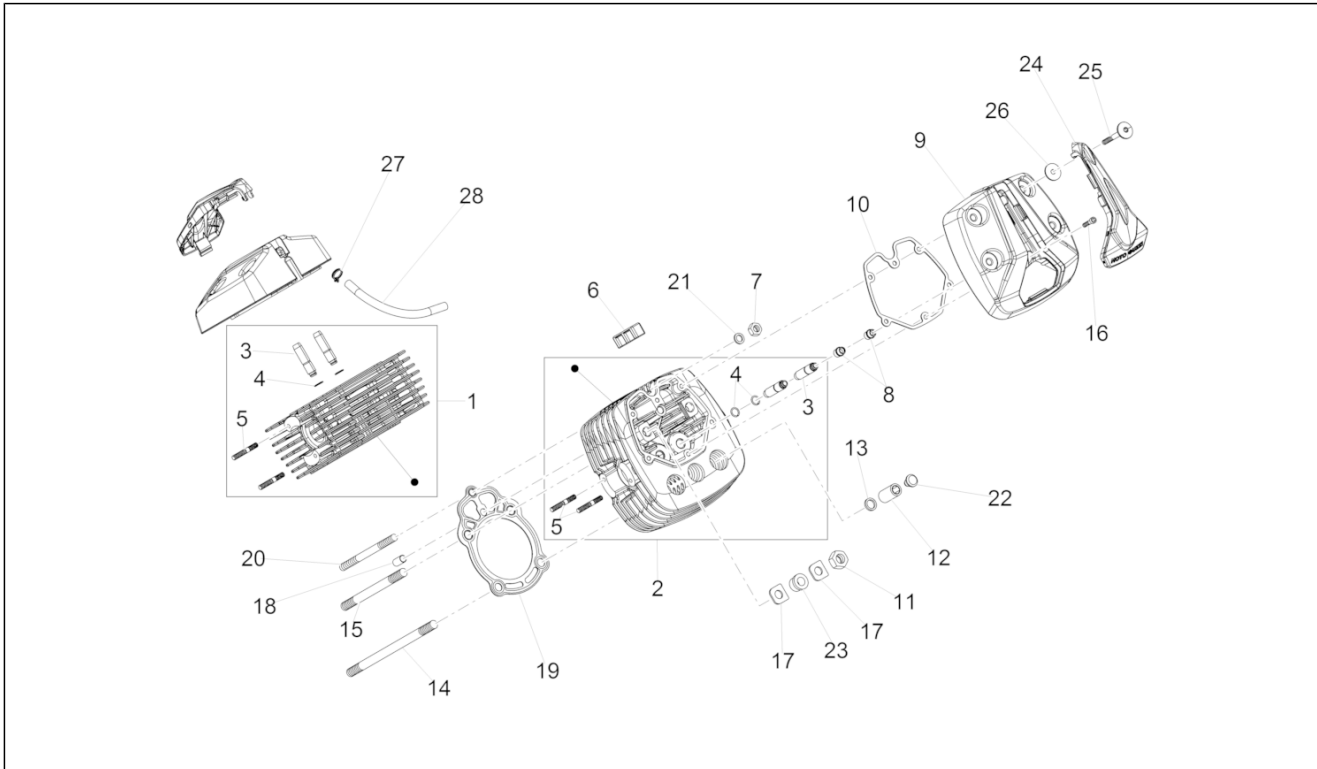
Pos.	Code	Description	Qty	Variants
1	2A0002355	Crankcase assy	1	
2	GU96451560	Stud bolt	4	
3	GU96451430	Stud bolt	4	
4	GU96508055	Stud bolt	2	
5	GU19015020	Bushing	4	
6	GU61270300	Spring washer 8x15x0,3	6	
7	GU92606208	Nut M8x1,25	6	
8	GU19003800	Joint	1	
9	GU90706076	O-ring	2	
10	886365	Gasket ring	1	
11	GU98682325	Hex socket screw M6x25	12	
12	976604	Oil sump black	1	
13	887004	Sump gasket	1	
14	GU31003766	Oil unload plug M10x1	1	
15	GU10528900	Gasket	1	
16	1A005199	Oil filter cover	1	
17	GU90706444	O-ring	1	
18	883826	Oil load plug	1	
19	GU90706281	O-ring 28,24x2,62	1	
20	GU12003702	Oil unload plug	1	
21	GU95100709	Gasket 20,1x28x2	1	
22	GU27152885	Bolt	1	
23	GU12154200	Gasket 8,25x15x1	1	
24	GU32999510	Oil seals - set	1	
25	GU32999010	Gasket set	1	
26	GU13021900	Column nut	4	
27	GU95129180	Washer 10,5X18X0,8	4	
28	2L0002405	Engine assy w/hout transm.	1	

Group	ENGINE
Code	34.35
Description	Timing system cover
Service	1



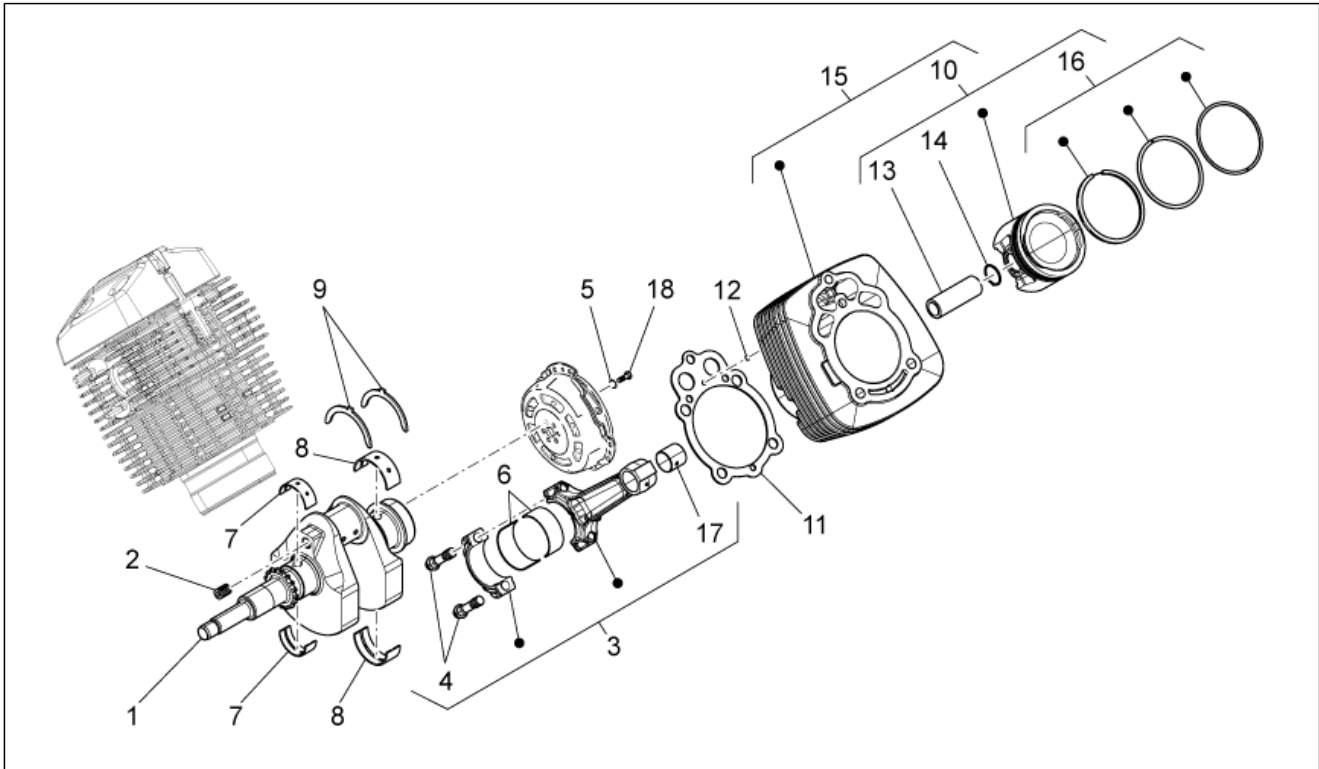
Pos.	Code	Description	Qty	Variants
1	2A000085	Cover	1	
2	887003	Cover gasket	1	
3	GU98682325	Hex socket screw M6x25	10	
4	GU98682330	Hex socket screw M6x20	2	
5	GU19002020	Bushing 6,6x9x13	2	

Group	ENGINE
Code	34.36
Description	Cylinder head
Service	1



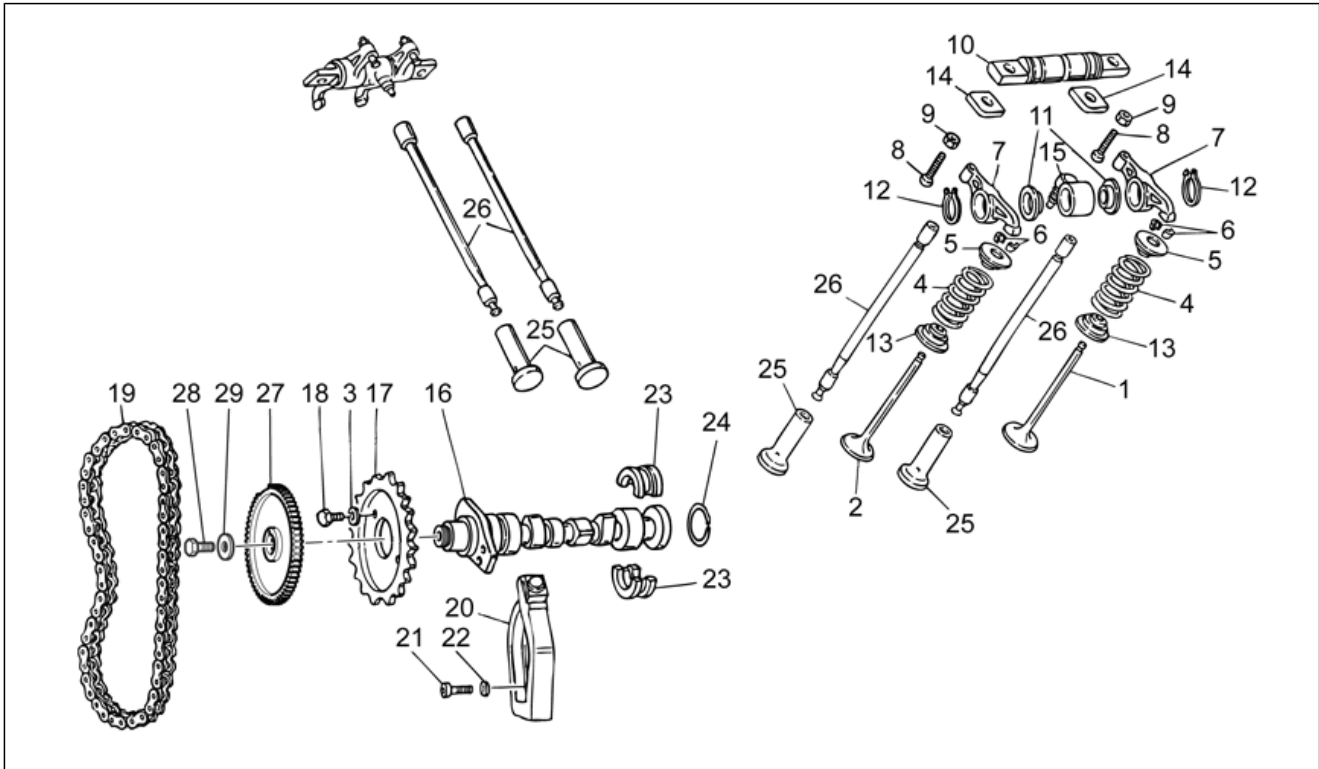
Pos.	Code	Description	Qty	Variants
1	2A000188	RH cylinder head	1	
2	2A000189	LH cylinder head	1	
3	GU61036801	Valve guide	4	
4	GU90353009	Snap ring	4	
5	GU96506042	Stud bolt	4	
6	B063111	Damping plug	4	
7	GU19021920	Nut	2	
8	GU19037820	Oil seal	4	
9	887523	Head cover	2	
10	887002	Head cover gasket	2	
11	GU92603010	Nut M10X1,5	4	
12	GU13021900	Column nut	4	
13	GU95129180	Washer 10,5X18X0,8	4	
14	GU96510214	Stud bolt M10x214	4	
15	GU96510181	Stud bolt M10x182	4	
16	GU98692325	Hex socket screw M6x25	4	
17	GU19032980	Spacer	8	
18	GU19021360	Bushing	2	
19	B063099	Cylinder head gasket	2	
20	976898	Stud bolt M8x140	2	
21	GU61270300	Spring washer 8x15x0,3	2	
22	GU93180245	Cover	4	
23	AP8144071	Rubber exhaust	1	
24	887279	Spark plug cover	2	
25	887483	Head cover screw M6x52.5	8	
26	969973	Washer	8	
27	AP8201358	Hose clamp D 11,9	1	
28	2B001204	Blow-by pipe	1	

Group	ENGINE
Code	34.37
Description	Crankshaft cpl.
Service	1



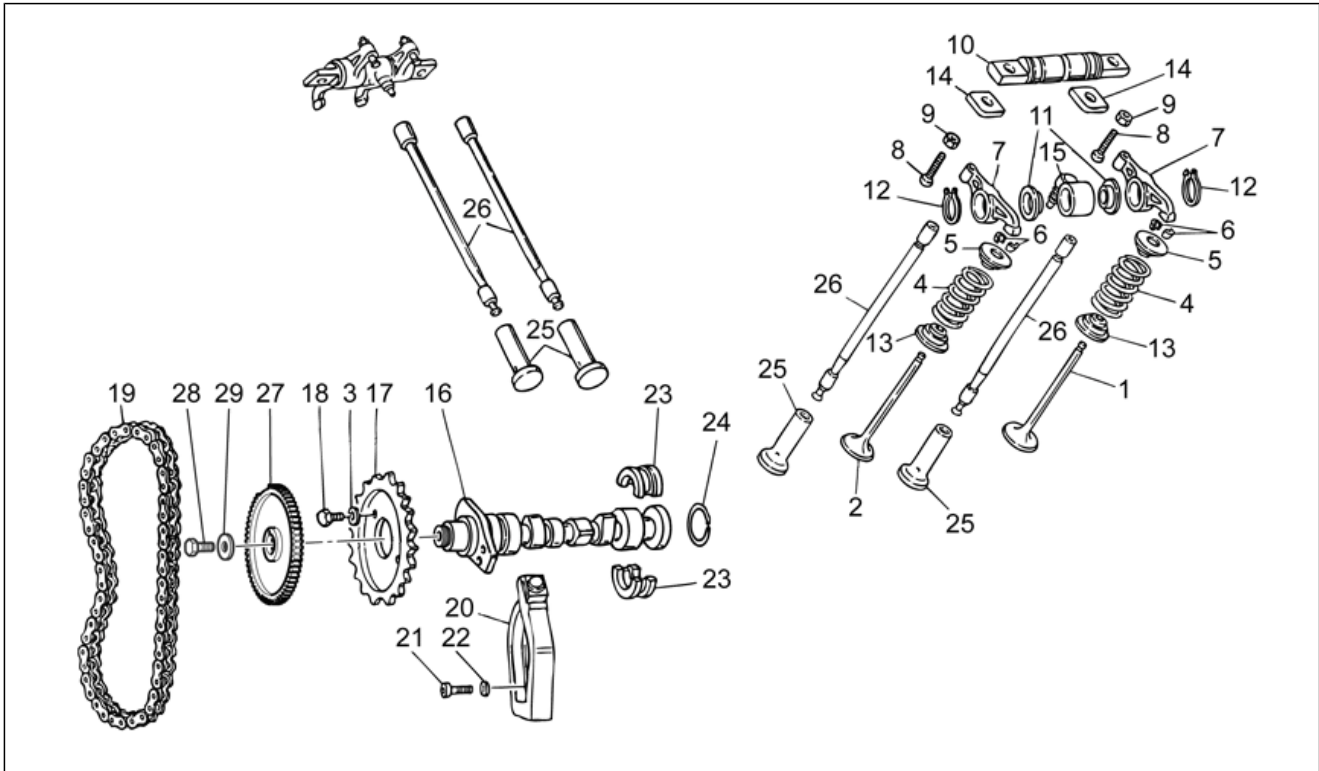
Pos.	Code	Description	Qty	Variants
1	2A0000995	Drive shaft	1	
2	GU19065400	Cover	1	
3	GU27061585	Connecting rod cpl.	2	
4	GU19062261	screw	4	
5	GU14615901	Washer 8,4X13X0,8	6	
6	GU27062060	Bearing half-shell	4	
7	GU27065660	Front main half-bearing	2	
8	GU27066560	Rear main half-bearing	2	
9	GU27066460	Half-clamp	2	
10	8872690001	Piston complete with 80 Cat. D	1	
10	8872690002	Piston complete with 80 Cat. E	1	
10	8872690003	Piston complete with 80 Cat. F	1	
11	886670	Cylinder gasket	2	
12	GU61027200	O-ring	2	
13	B063016	Piston pin	2	
14	874567	Stop ring	4	
15	B063465	Cylinder with piston	2	
16	B063466	Pistonring set	2	
17	GU27061885	Bushing	2	
18	GU19067700	screw	6	

Group	ENGINE
Code	34.38
Description	Timing system
Service	1



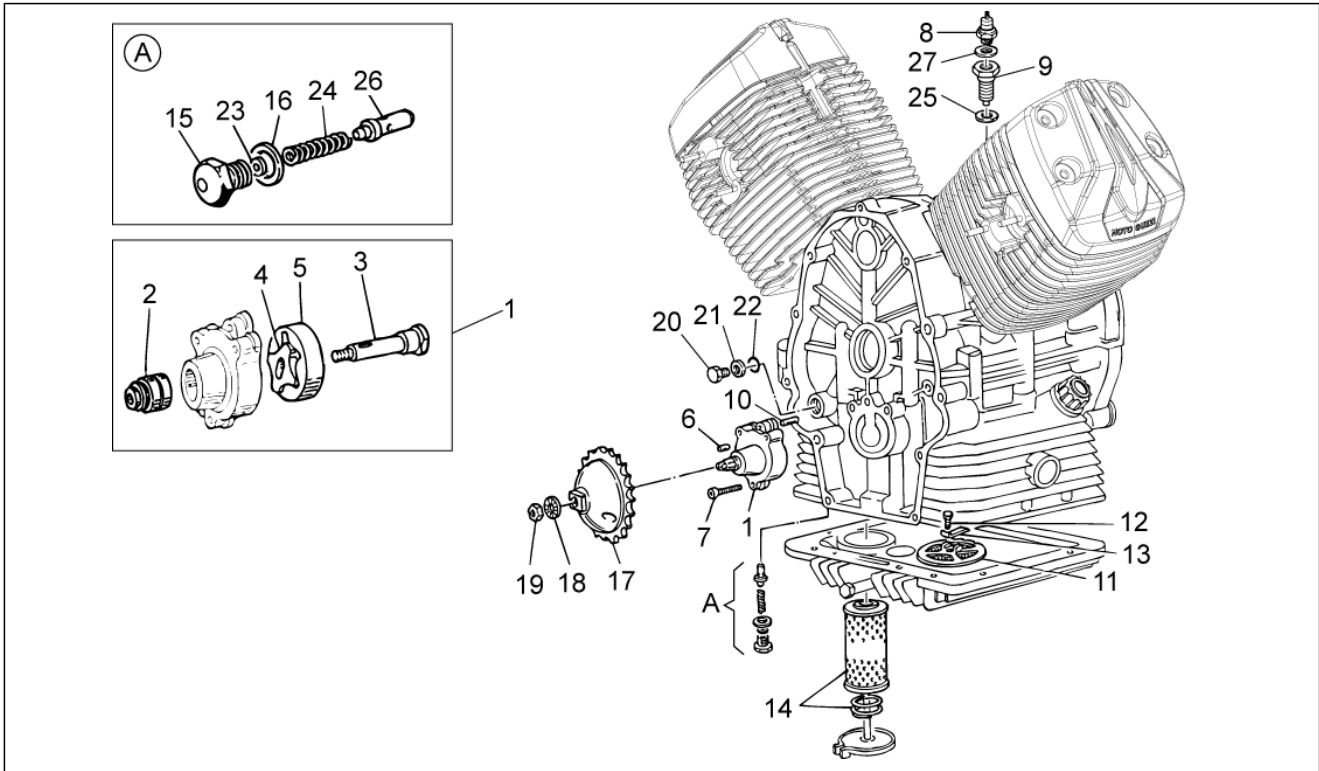
Pos.	Code	Description	Qty	Variants
1	2A000146	Valve, in	2	
2	2A000147	Exhaust valve	2	
3	GU23217800	Safety washer	2	
4	GU27037521	Spring	4	
5	GU31038015	Upper cup	4	
6	GU61038100	Half-cone	8	
7	GU19030500	Rocker arm assy.	4	
8	GU19034000	screw	4	
9	GU92602406	Nut M6x1	4	
10	GU19032080	Rocker shaft	2	
11	GU32032310	Thrust washer	4	
12	GU90271018	Circlip	4	
13	GU31037015	Lower cup	4	
14	GU19032980	Spacer	4	
15	GU19027500	Hose	2	
16	GU32053410	Camshaft	1	
17	GU32054510	Timing system gear	1	
18	GU61054900	Bolt	2	
19	GU19058021	Camshaft chain	1	
20	GU19058220	Chain stretching drive	1	
21	GU98882316	screw	1	
22	GU95129115	Washer	1	
23	GU19055700	Sector	2	
24	GU90353029	Snap ring	1	
25	GU19045861	Tappet	4	
26	GU31045015	Rocker arm rod	4	
27	887528	Phonic wheel	1	
28	GU98054422	screw M8x22	1	

Group	ENGINE
Code	34.38
Description	Timing system
Service	1



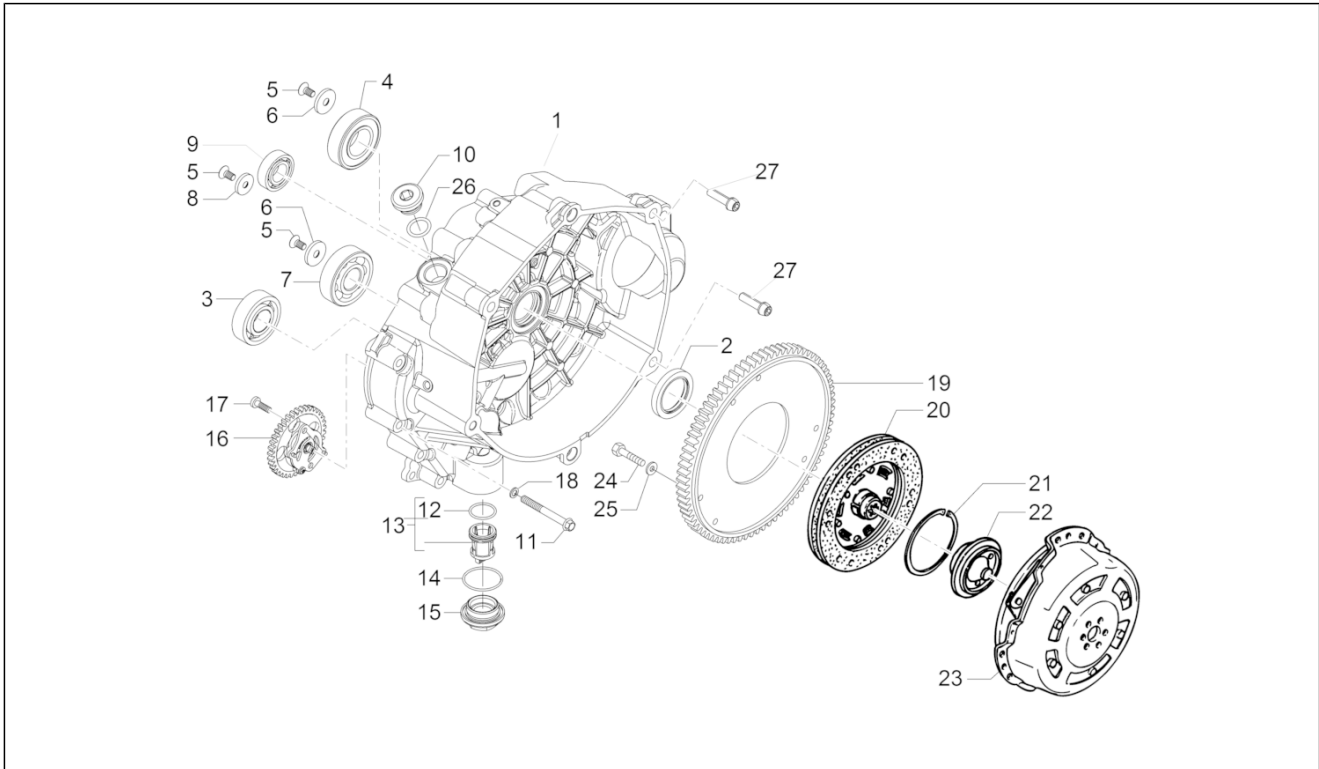
Pos.	Code	Description	Qty	Variants
29	GU95100244	Washer	1	

Group	ENGINE
Code	34.39
Description	Oil pump
Service	1



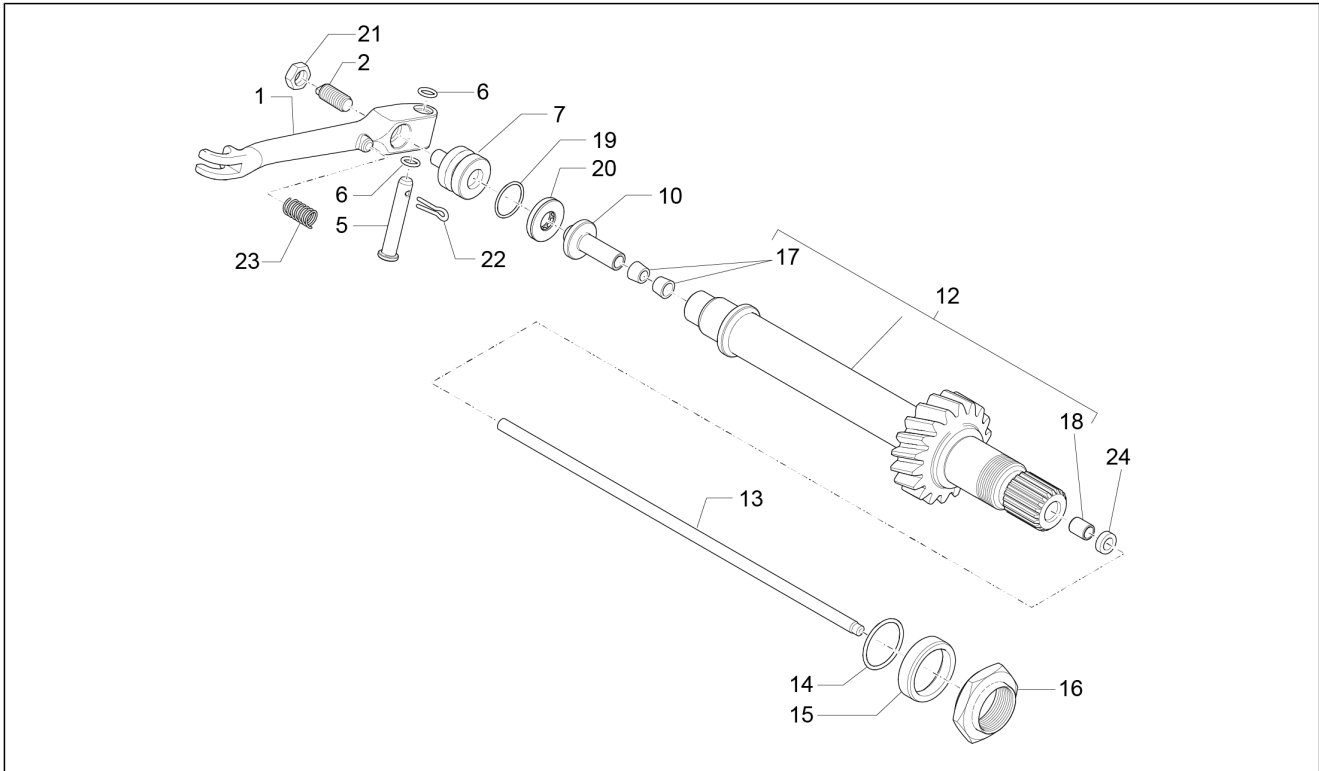
Pos.	Code	Description	Qty	Variants
1	GU19146422	Oil pump	1	
2	GU92252210	Roller bearing 10x22x20	1	
3	GU20147810	Oil pump shaft assy.	1	
4	GU20148410	Inner rotor	1	
5	GU20148610	Outer rotor	1	
6	GU92296723	Roller	1	
7	884039	Hex socket screw M6x35	3	
8	641541	Oil pressure sensor	1	
9	887093	Union	1	
10	GU19018920	Pin	2	
11	GU19152200	Oil filter	1	
12	GU98084314	Hex screw M6x14	1	
13	GU95187006	Plate	1	
14	GU27153085	Oil filter	1	
15	GU31159050	Cover	1	
16	GU18144350	Washer 18,25x24x1	3	
17	GU20147710	Pump gear	1	
18	AP8152220	Washer	1	
19	GU92602510	Nut M10x1,25	1	
20	GU31016050	Cover	1	
21	GU18161150	Gasket 14,25	1	
22	GU90706111	O-ring	1	
23	GU95008206	Washer 6,15x11x0,8	3	
24	GU94321079	Spring	1	
25	GU95100602	Gasket	1	
26	GU31159050	Piston	1	
27	GU95100309	Washer	1	

Group	ENGINE
Code	34.40
Description	Clutch I
Service	1



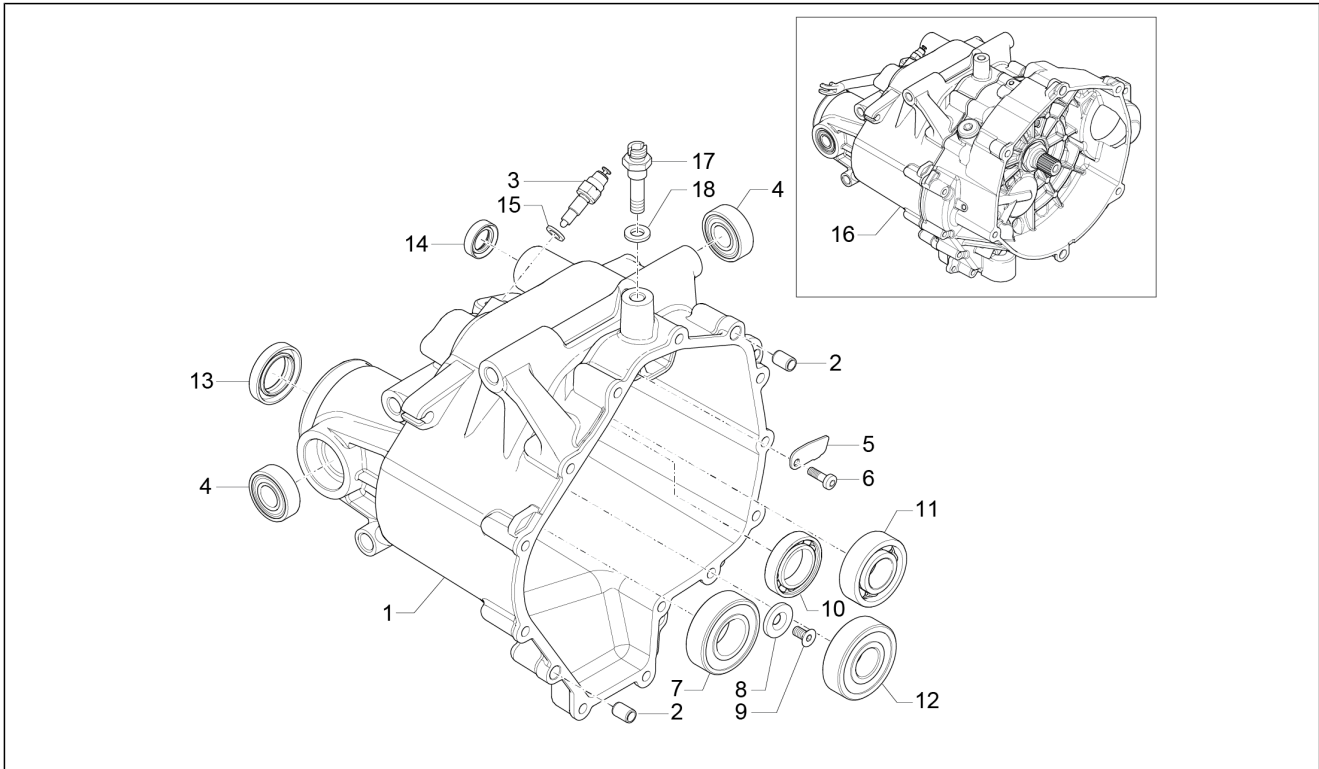
Pos.	Code	Description	Qty	Variants
1	2A0003794	Clutch drum	1	
2	886629	Gasket ring	1	
3	848650	Ball bearing 20x47x14	1	
4	GU92201226	Ball bearing 25x52x15	1	
5	B013608	Screw	4	
6	873928	Washer	3	
7	GU92201822	Ball bearing 20x52x15	1	
8	873905	Washer	1	
9	834764	Bearing	1	
10	GU12022600	Oil plug	1	
11	AP8150045	Hex socket screw M6x55	14	
12	B017406	O-ring 20.35x1.78	1	
13	B018020	Oil filter cpl.	1	
14	285536	O-ring 31,47x1,78	1	
15	B015598	Oil filter plug	1	
16	B018448	Oil pump assy.	1	
17	2A000241	Screw M5x16	2	
18	GU95008306	Washer 6,4x12x1,2	14	
19	GU32067910	Chain ring	1	
20	GU32084410	Driven clutch disc	1	
21	GU90272075	Snap ring	1	
22	GU19083462	New cup type	1	
23	GU32080310	Clutch	1	
24	884038	Hex screw M6x16	6	
25	GU14217901	Washer 6,4x10x0,7	6	
26	GU90706203	O-ring 20,24x2,62	1	
27	GU98680440	Hex socket screw M8x40	6	

Group	ENGINE
Code	34.41
Description	Clutch II
Service	1



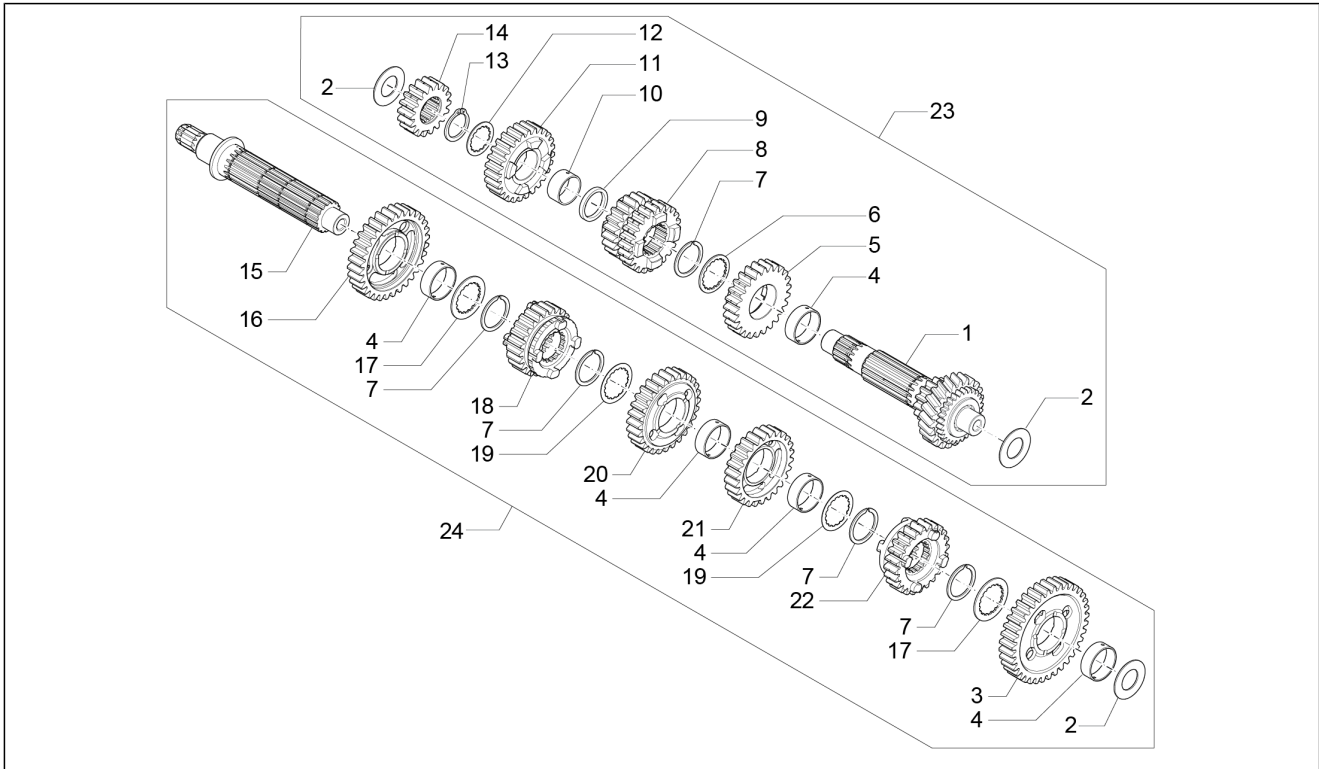
Pos.	Code	Description	Qty	Variants
1	2A000383	Clutch release shaft	1	
2	GU14090400	Adjuster screw	1	
5	2A000384	Lever pin	1	
6	2A000385	O-ring 6.5x1.5	2	
7	GU14086100	Outer body	1	
10	B013037	Clutch gear	1	
12	2A000204	Clutch shaft Z=18	1	
13	2A000216	Drive rod	1	
14	GU90706235	O-ring 23,52x1,78	1	
15	GU19213760	Spacer	1	
16	GU19356760	Nut	1	
17	GU14085900	Bush	2	
18	GU05217630	Bushing	1	
19	GU90706170	O-ring 17,13x2,62	1	
20	2A000376	Thrust bearing	1	
21	GU92606508	Nut	1	
22	GU95500222	Split pin	1	
23	GU94321105	Lever return spring	1	
24	2A000378	Gasket ring	1	

Group	ENGINE
Code	34.42
Description	Transmission cage
Service	1



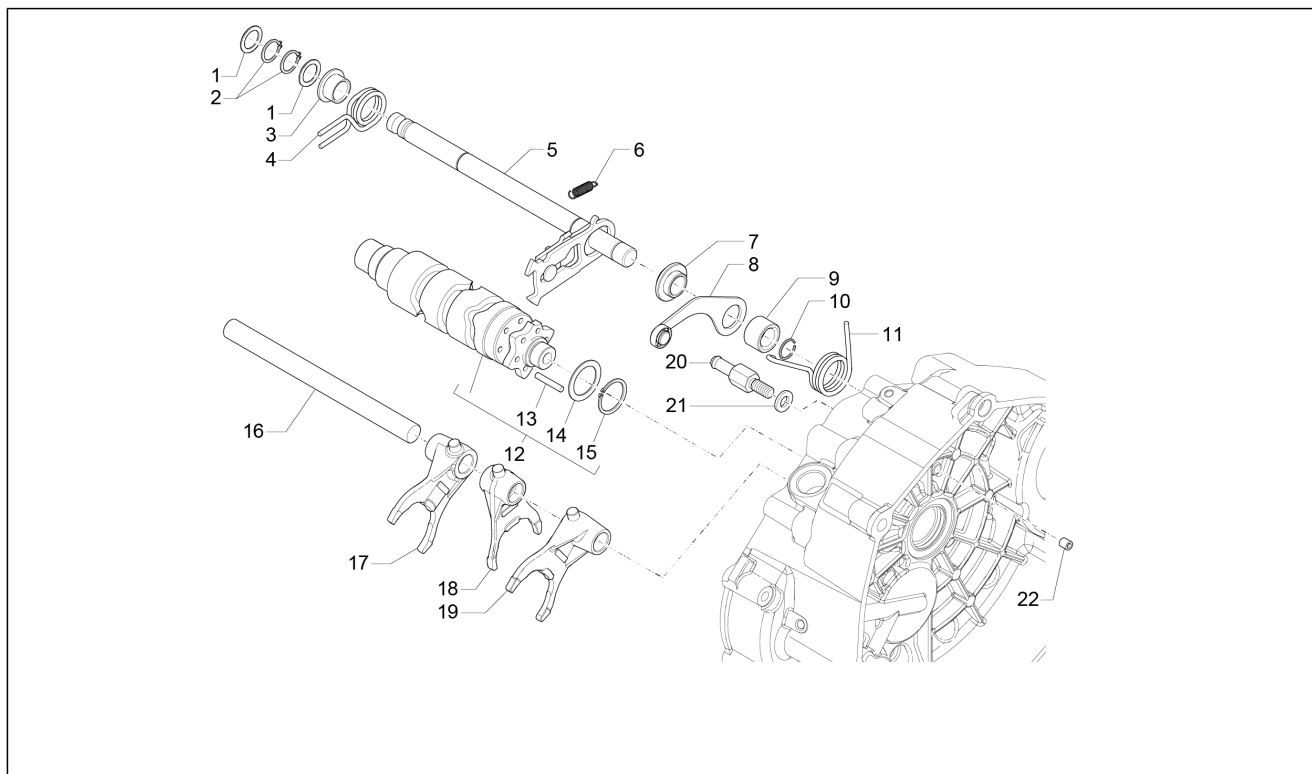
Pos.	Code	Description	Qty	Variants
1	2A000210	Transmission cage	1	
2	GU19002020	Bushing 6,6x9x13	2	
3	B063269	Sensor	1	
4	2A000097	Ball bearing 6202-2RSH/C3 LHT23	2	
5	2A000306	Lock plate	1	
6	2A000241	Screw M5x16	1	
7	GU92201226	Ball bearing 25x52x15	1	
8	873928	Washer	1	
9	B013608	Screw	1	
10	857250	Ball bearing 25x42x9	1	
11	2A000375	Ball bearing	1	
12	GU92201822	Ball bearing 20x52x15	1	
13	GU90412541	Gasket ring 25X40X7	1	
14	GU90401424	Gasket ring 14x24x7	1	
15	B063025	Gasket 8.7x14.2x1.3	1	
16	2A000196	Gear box assy	1	
17	2A000438	Breather plug	1	
18	GU01528930	Gasket 10x18x1,5	1	

Group	ENGINE
Code	34.43
Description	Gear box
Service	1



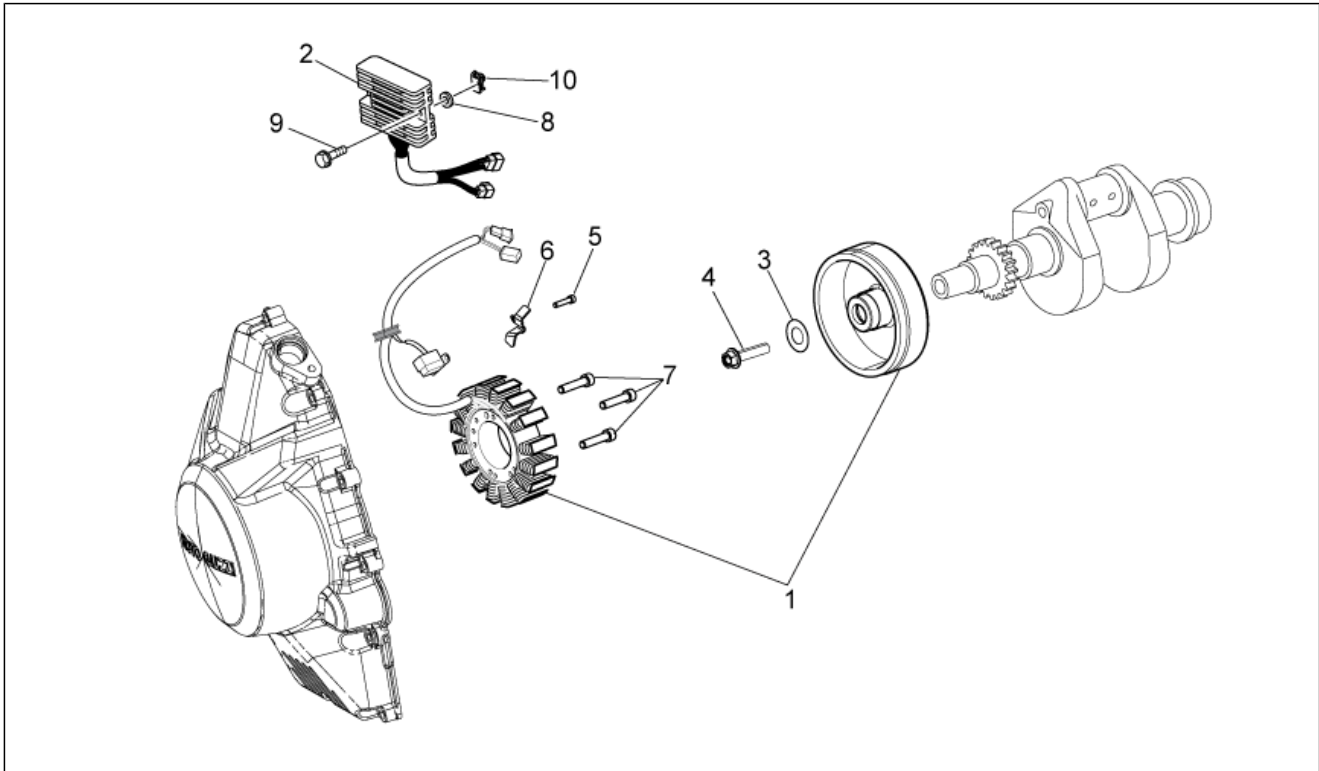
Pos.	Code	Description	Qty	Variants
1	2A000230	Primary gear shaft	1	
2	1A000566	Thrust washer	3	
3	B017470	1st gear	1	
4	849308	Moveable bush	5	
5	1A000360	Fifth speed gear	1	
6	849424	Clearance washer	1	
7	1A002604	Shaft snap ring	5	
8	1A000436	Sliding pinion 3a - 4a vel.	1	
9	B015040	Thrust washer	1	
10	974162	Moveable bush	1	
11	1A000361	6th pinion gear	1	
12	849396	Clearance washer	1	
13	974165	Snap ring	1	
14	1A000365	2nd pinion gear	1	
15	2A000203	Secondary gearbox shaft	1	
16	1A000366	Second speed gear Z=32	1	
17	849309	Clearance washer	2	
18	1A000370	Gear 6a Z=24	1	
19	849310	Clearance washer	2	
20	1A000367	Third speed gear Z=28	1	
21	1A000368	Fourth speed gear Z=26	1	
22	1A000369	Fifth speed gear Z=24	1	
23	2A000199	Primary shaft assy	1	
24	2A000202	Sec. shaft assy	1	

Group	ENGINE
Code	34.44
Description	Gear box selector
Service	1



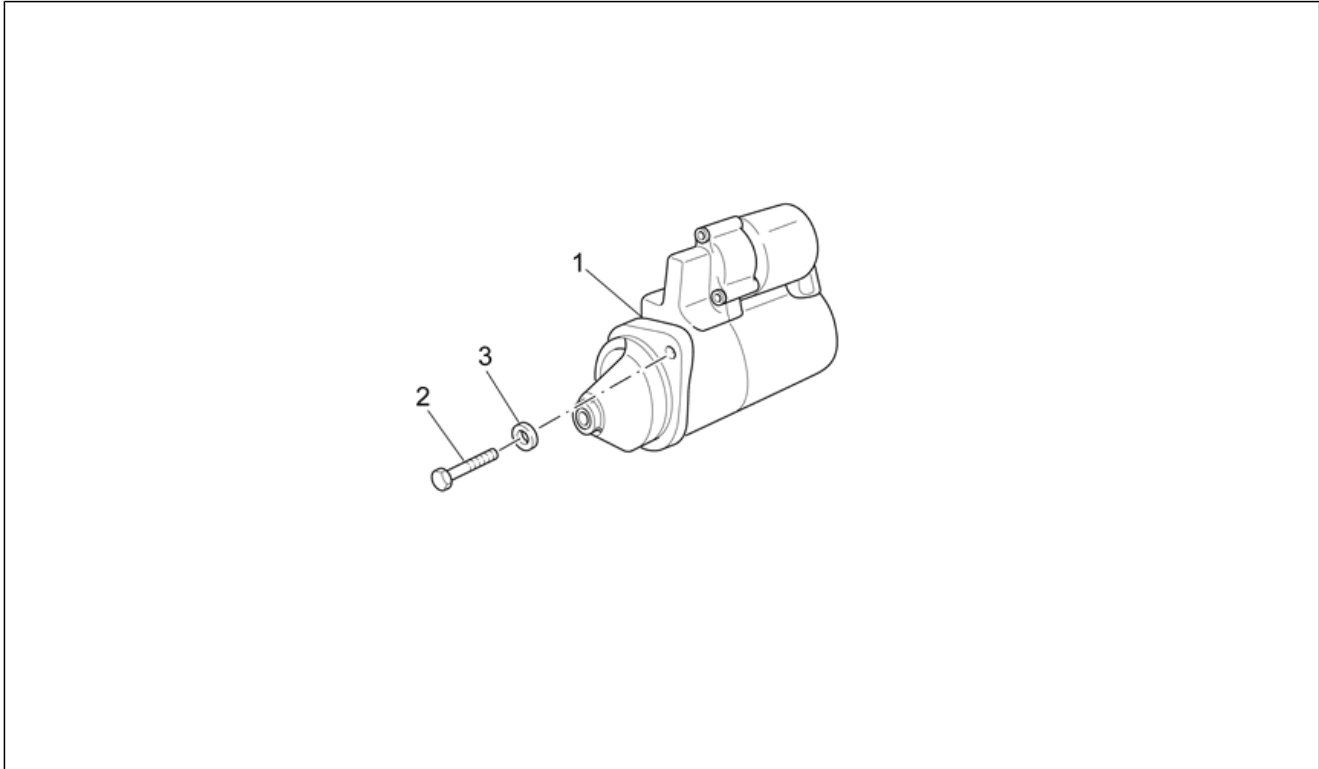
Pos.	Code	Description	Qty	Variants
1	GU05239330	Fifth wheel	2	
2	GU90271014	Circlip	2	
3	2A000467	Spacer	1	
4	B063956	Spring	1	
5	2A000219	Preselection complete	1	
6	GU05238231	Spring	1	
7	GU05238431	Bushing	1	
8	B064112	Index assy. lever	1	
9	GU05234230	Spacer	1	
10	GU90353014	Circlip	1	
11	B064113	Index spring	1	
12	2A000222	Shift cam cpl.	1	
13	GU05234631	Pin	6	
14	GU05235531	Spacer	1	
15	GU90271022	Circlip	1	
16	2A000224	Rod	1	
17	2A000226	Fork 2-3 speed	2	
18	2A000227	5-6 gear fork	1	
19	2A000225	Fork for secondary shaft	1	
20	2A000415	Set screw	1	
20	2A000416	Set screw	1	
21	B063025	Gasket 8.7x14.2x1.3	1	
22	862560	Special nut	1	

Group	ENGINE
Code	34.45
Description	Generator - Regulator
Service	1



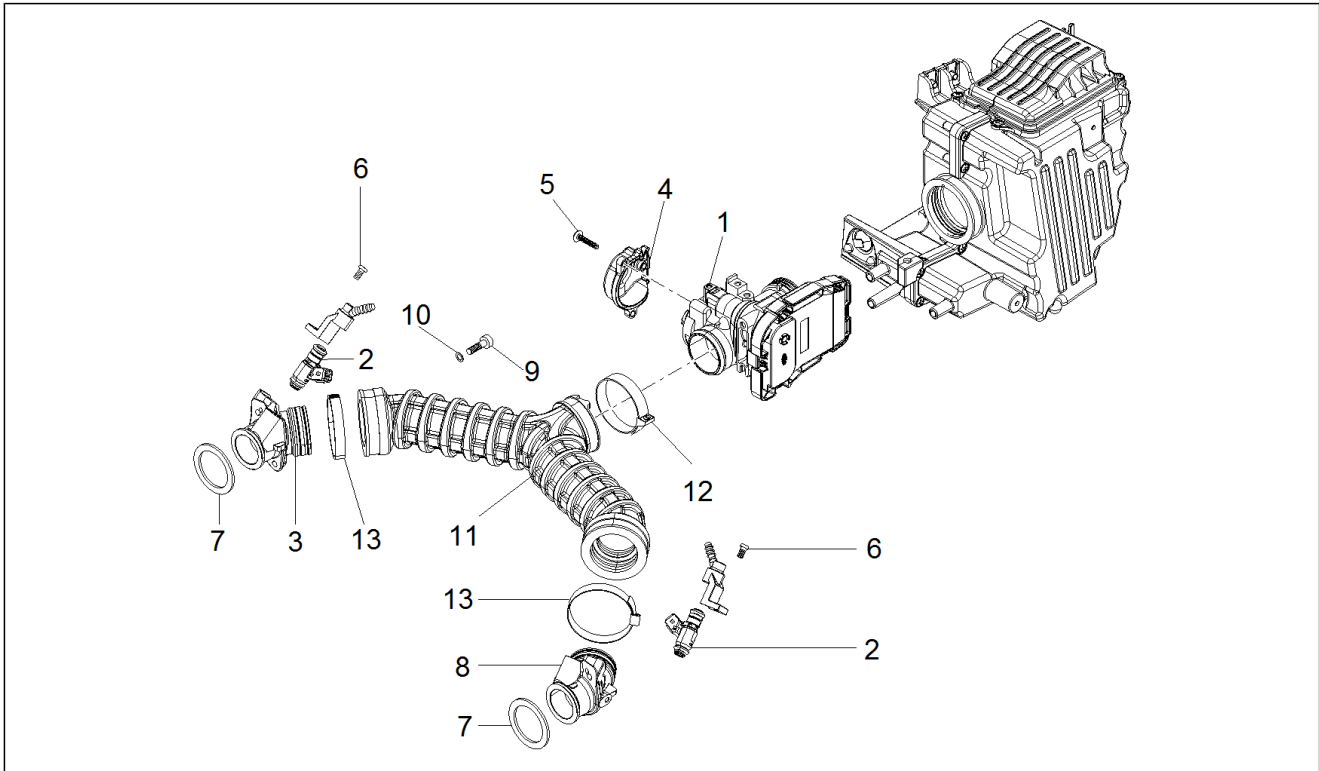
Pos.	Code	Description	Qty	Variants
1	2D000024	Cdi magneto assy	1	
2	2D000043	Voltage regulator	1	
3	897478	Washer 12x26.5x3	1	
4	857206	Screw w/ flange M12X1,25X50	1	
5	GU98682212	Hex socket screw M5x12	1	
6	2A000115	Plate	1	
7	2A000129	Low head socket screw M6x35	3	
8	GU95100125	Washer	2	
9	AP8152281	Screw w/ flange M6x30	2	
10	254485	Spring plate M6	2	

Group	ENGINE
Code	34.46
Description	Starter motor
Service	1



Pos.	Code	Description	Qty	Variants
1	GU05730730	Starter motor Bosch	1	
2	GU98682435	Hex socket screw	2	
3	GU95008208	Washer 8,4X15X1,5	2	

Group	ENGINE
Code	34.47
Description	Throttle body
Service	1



Pos.	Code	Description	Qty	Variants
1	CM228306	Electronic control unit ECU for injection	1	
2	B063049	Injector	2	
3	GU32115010	RH manifold	1	
4	880260	Throttle body Protection	1	
5	B016796	Torx convex big end screw	3	
6	AP8152298	Screw w/ flange M5x16	2	
7	GU32115510	Gasket	2	
8	GU32115011	LH manifold	1	
9	GU98622322	screw	4	
10	GU03013800	Washer 6,4x12	4	
11	2B001031	Throttle body hose	1	
12	884310	Hose clamp D.55	1	
13	884311	Hose clamp D.61	2	